

CORNER FILE TRACKING

H:\Survey\Corners\Misc\Filetrac.doc

11/23/98

CORNER NUMBER
115340700

STEP	HISTORY()	RESTORATION()
Form Prepared, DB	7/10/00	7/27/00
Field Inspection, DB	7/27/00	7/27/00
Form Checked, DB	4/15/04	4/15/04
Form Edited, DB	4/15/04	4/15/04
Form Signed, DB	4/20/04	4/20/04
Authorize Payment, DB		
Archive Digital Files	4/16/04	4/16/04
Collect Documents	4/16/04	4/16/04
Scanned	4/21/04	4/21/04
Copy For Filming	4/20/04	4/20/04
Filed, DB		
Finish index (count unit)	4/16/04	4/16/04
Filmed (Archived), DB		

(DB) = Entry needed in database (Access).

COMMENTS:

DATE 07/10/2000TOWNSHIP 11 SOUTH, RANGE 05 WEST, WILLAMETTE MERIDIAN; SECTION 04 CORNER N 1/4
DONATION LAND CLAIM N/A CORNER _____**COMMON CORNER(S):**

THE SOUTH LINE OF TOWNSHIP 10 SOUTH, RANGE 5 WEST.

RECORDS (INFORMATION IN BOLD ITALICS IS COUNTY STAFFS' INTERPRETATION OF THE RECORD)

- [01] ORIGINAL GLO SURVEY BY GEORGE W. HYDE, D.S., APPROVED AUGUST 12, 1852. **SET A POST WITH 2 OAK BEARING TREES, MEASURED TO THE FACE.**
- [02] COUNTY SURVEY NO. 1203 NOTES (FIELD BOOK NO. 52, PAGE 14) BY WALTER W. LARSEN, D.C.S., DATED MAY 13, 1933. **MAY HAVE TIED, BUT DID NOT DESCRIBE.**
- [03] COUNTY SURVEY NO. 2005, BY OTTO MEYER, P.E., DATED MARCH 22, 1948. **FOUND 2 BEARING TREES, ONE ORIGINAL, SET A 1/2" PIPE WITH 1 NEW BEARING TREE.**
- [04] MAP NO. 11-5-00005, BY OTTO MEYER, NO DATE GIVEN. **1/2" PIPE WITH 1 ORIGINAL BEARING TREE AND 2 NEW ONES.**
- [05] COUNTY SURVEY NO. 6501, BY BRUCE STARKER, P.L.S., DATED SEPTEMBER 26, 1964. **FOUND 1/2" PIPE AND 3 BEARING TREES, 1 ORIGINAL.**
- [06] COUNTY SURVEY NO. 4154, BY R. M. MORRIS, P.E., DATED JULY, 1965. **TIES IN THE NORTH LINE OF SECTION 4, BUT DOES NOT SHOW THE QUARTER CORNER.**
- [07] STARKER MAP BY STARKER FORESTS, NO DATE GIVEN. **1/2" PIPE WITH 2 BEARING TREES.**
- [08] **THE SAME AS RECORD [07].**
- [09] COUNTY SURVEY NO. 6805 BY VERLE MOORE, P.L.S., DATED NOVEMBER 22, 1978. **DID NOT FIND.**
- [10] COUNTY SURVEY NO. 7410 BY ROLAND P. LAVOIE, P.L.S., DATED MAY 20, 1982. **FOUND 1/2" PIPE AND 3 BEARING TREES, 1 ORIGINAL, ABOUT 50' EASTERLY OF THE MID-POINT.**

COMMENTS/LOCATION/ETC:**NOTES:**

THIS IS A MICROSOFT WORD 97 DOCUMENT NAMED "15340700" CREATED FROM A BOILER PLATE DOCUMENT NAMED "HISTORY", WHICH HAS A STYLESHEET NAMED "CORNER" ATTACHED TO IT.

FIRM/AGENCY: BENTON COUNTY SURVEYOR'S OFFICE
ADDRESS: 360 S.W. AVERY AVE. CORVALLIS OR 97333; PH. 766-6821
RESEARCH BY: CURTIS J. LIESENFELT, P.L.S.
DATA ENTRY BY: SAME

BENTON COUNTY CORNER RESTORATION FORM, PAGE 1 OF 2, 115340700R1

SEE CORNER HISTORY FORM FOR RECORDS ETC.

CORNER RESTORATION FIELD BOOK NUMBER N/A PAGE(S) N/A DATE 07/27/2000
TOWNSHIP 11 SOUTH, RANGE 5 WEST, WILLAMETTE MERIDIAN; SECTION 04 CORNER NORTH 1/4
DONATION LAND CLAIM N/A CORNER _____
CONDITION REPORT _____; REFERENCED OUT _____; RENEWED XX; SURVEYED IN _____

LOCATION AND COMMENTS:

THE CORNER IS LOCATED ON A GENTLY SLOPING, SOUTHEASTERLY FACING, HEAVILY WOODED AND BRUSHY HILLSIDE, 40' SOUTHERLY OF A GRAVEL ROAD. TO REACH FROM THE INTERSECTION OF SOAP CREEK ROAD AND MOSS ROCK DRIVE, FOLLOW MOSS ROCK 0.63 MILES TO HELM DR., TURN LEFT ON HELM AND FOLLOW FOR 0.1 MILE, TURN LEFT AND GO THROUGH A STARKER GATE FOR 0.28 MILES. THE CORNER IS ON THE LEFT. IT IS POOR FOR PREMARKING AND GPS CONTROL.

MONUMENTS AND ACCESSORIES FOUND (CONDITION AND SOURCE):

FOUND: 1/2" BY 30" INSIDE DIAMETER IRON PIPE FOR THE CORNER.
(SET 1/2" PIPE PER RECORD [03]).
(1/2" PIPE PER RECORDS [04], [07] AND [08]).
(FOUND 1/2" PIPE PER RECORDS [05] AND [10]).

FOUND: 26" OAK UPROOT, BEARS S 3°51'E~148.5' TO CENTER OF ROOT HOLE. THE ORIGINAL MARKS WERE SEARCHED FOR WITHOUT SUCCESS.
(8" OAK, S 4°15'E~148.5' PER RECORD [01]).
(ORIGINAL OAK, S 4°15'E~148.5', NOTCHED IN 1912 PER RECORDS [03] AND [04]).
(OAK, S 4°15'E~148.5' PER RECORD [05])
(36" BLAZED OAK, S 4°15'E~148.5', PER RECORD [10]).

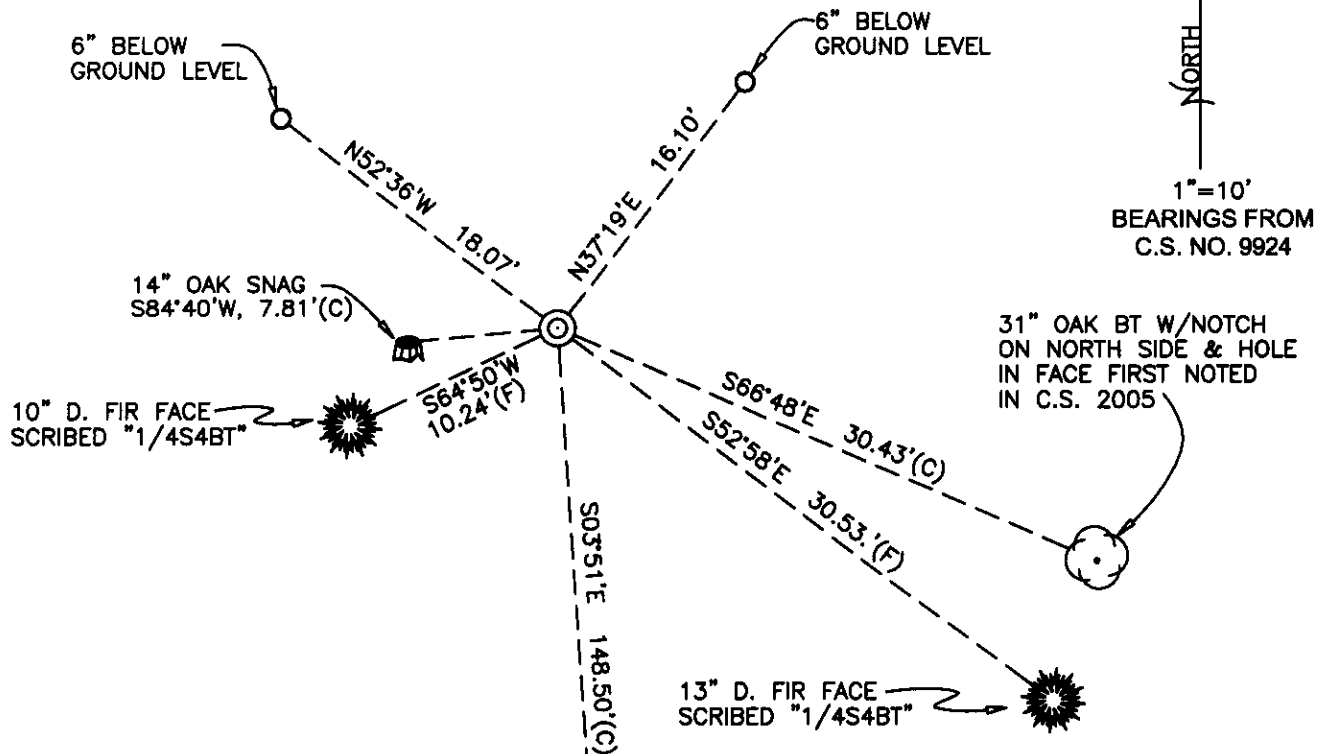
FOUND: 14" OAK SNAG, WITH A HEALED BLAZE AND BARK SCRIBED "BT", BEARS S 84°40'W~7.81'. SET A NAIL AND PLASTIC WASHER IN THE SIDE CENTER.
(12" OAK, S 85°W~7.7' PER RECORDS [03]-[05], [07] AND [08]).
(14" OAK, BLAZED AND SCRIBED "BT", S 85°W~7.7' PER RECORD [10]).

FOUND: MOSTLY DEAD 31" OAK, WITH A HOLE IN THE FACE, A NOTCH ON THE NORTH SIDE AND BARK SCRIBING "BT" VISIBLE, BEARS S 66°48'E~30.43'. SET A NAIL AND PLASTIC WASHER IN THE SIDE CENTER.
(24" OAK, NOTCHED NORTH SIDE IN 1912, S 67°20'E~30.9' PER RECORDS [03], [04], [07] AND [08]).
(24" OAK, S 67°20'E~30.8' PER RECORD [05]).
(36" OAK, BLAZED AND SCRIBED "BT", S 67°20'E~30.9' PER RECORD [10]).

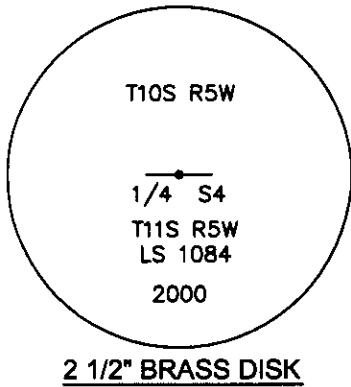
MONUMENT SET (PROCEDURES AND DESCRIPTION):

REFERENCED AND REPLACED THE RECOVERED 1/2" PIPE WITH A 2" INSIDE DIAMETER BY 30" LONG IRON PIPE WITH A 2 1/2" BRASS CAP, STAMPED AS SHOWN. BURIED THE 1/2" PIPE ALONGSIDE THE NEW MONUMENT.

WOODS AND BRUSH



MONUMENT DETAIL



WOODS AND BRUSH

LEGEND

- SET 5/8" X 30" REBAR WITH YELLOW PLASTIC CAP MKD "BENTON COUNTY SURVEYOR"
- (F) MEASUREMENT TO FACE
- (C) MEASUREMENT TO CENTER
- ⊙ GOVERNMENT MONUMENT SET AS SHOWN
- GLO GENERAL LAND OFFICE
- ⊙ BROADLEAF BEARING TREE AS NOTED
- ⊙ CONIFER BEARING TREE AS NOTED
- ⊕ ROOT HOLE OF PROBABLE GLO BEARING TREE

NEW ACCESSORIES:

1. SET REBAR (SEE LEGEND), 6" BELOW GROUND SURFACE, BEARS N52°36'W, 18.07 FEET.
2. SET REBAR (SEE LEGEND), 6" BELOW GROUND SURFACE, BEARS N37°19'E, 16.10 FEET.
3. 10" D. FIR, FACE SCRIBED "1/4S4BT", S64°50'W, 10.24 FEET TO FACE (10.6 FEET TO SIDE CENTER).
4. 13" D. FIR, FACE SCRIBED "1/4S4BT", S52°58'E, 30.53 FEET TO FACE (31.1 FEET TO SIDE CENTER).
5. SET 6 FOOT ORANGE CARSONITE "SURVEY MARKER" POST 1 FOOT NORTH.

NOTES:

COMPASS DECLINATION IS 20° EAST. ALL MEASURED DISTANCES AND BEARINGS ARE TO THE CENTER OF THE OBJECT, UNLESS OTHERWISE NOTED. ALL BEARING TREES ARE PAINTED AND HAVE A B.T. TAG ATTACHED, FACING THE CORNER UNLESS OTHERWISE NOTED. ALL NEW BEARING TREES HAVE A PLASTIC WASHER (STAMPED "BENTON COUNTY SURVEYOR CORNER RESTORATION") ATTACHED (BY ALUMINUM NAIL) TO THE FACE, BELOW THE "BT" FOR DISTANCE AND ANGLE MEASUREMENT UNLESS OTHERWISE NOTED. THE DRAWING IS FROM AUTOCAD RELEASE 2002.

THIS RESTORATION WAS DONE UNDER CONTRACT WITH BENTON COUNTY

REGISTERED
PROFESSIONAL
LAND SURVEYOR

OREGON
JULY 31, 1976
JIM S. PETERSON
1084

RENEWAL DATE: 12/31/04

FIRM/AGENCY: BENTON COUNTY SURVEYOR'S OFFICE
ADDRESS: 855 NW MITCHEL DRIVE, CORVALLIS OR 97333; PH 757-1794
SURVEYOR: JIM S. PETERSON, P.L.S.
PRESENT: COLTER HESSEL AND BRIAN PETERSON