

**116440700**

DATE 10/04/2018TOWNSHIP 11 SOUTH, RANGE 6 WEST, WILLAMETTE MERIDIAN; SECTION 3 CORNER NORTH 1/4  
DONATION LAND CLAIM N/A CORNER N/A**COMMON CORNER(S):**

POINT ON SOUTH LINE OF SECTION 34, TOWNSHIP 10 SOUTH, RANGE 6 WEST

**RECORDS (INFORMATION IN *BOLD ITALICS* IS COUNTY STAFFS' INTERPRETATION OF THE RECORD)**

BASED ON EXTENSIVE RESEARCH AND RECOVERY OF EVIDENCE, THIS OFFICE HAS DETERMINED THAT MOST GENERAL LAND OFFICE SURVEYORS IN BENTON COUNTY MEASURED TO THE FACE OF BEARING TREES.

- [01] GENERAL LAND OFFICE (GLO) NOTES BY GEORGE W. HYDE, D.S., DATED MAY 17, 1852. *SET POST, DROVE CHARRED STAKE AND MADE MOUND WITH TRENCH.*
- [02] BENTON COUNTY SURVEY NO. 1121 (OLD NO. 214) FIELD NOTES (FIELD BOOK 43, PAGE 6) BY WALTER W. LARSEN, D.C.S., DATED OCTOBER 16, 1929. *1" ROD AND PILE OF STONES.*
- [03] BENTON COUNTY CORNER RESTORATION BOOK NO. 1, PAGE 188, BY WALTER W. LARSEN, D.C.S., DATED OCTOBER 16, 1929. *SET 1" ROD AND PILE OF STONES 15.10 CHAINS (996.60 FEET) EAST OF 1" ROD.*
- [04] BENTON COUNTY CORNER RESTORATION NO. 818. *TRANSCRIBED FROM RECORD [03] AND MAY CONTAIN ERRORS AND/OR OMISSIONS.*
- [05] BENTON COUNTY MAP NO. 10-6-00016 BY UNKNOWN DRAFTSMAN, NO DATE GIVEN. *1" ROD AND PILE OF STONES.*
- [06] BENTON COUNTY CORNER RESTORATION NO. 116440700R2 BY JIM S. PETERSON, P.L.S., DATED JUNE 19, 1996. *FOUND 1/2" X 12" SPIKE WITH 1/4" ROUND HEAD IN MOUND OF STONE. SET 2" INSIDE DIAMETER X 30" LONG IRON PIPE, WITH 2-1/2" BRASS CAP, FOR THE CORNER, STAMPED "1/4 S3 T11S R6W SC LS1084 1996". BURIED FOUND SPIKE ALONGSIDE CAP. BUILT MOUND OF STONE AROUND CORNER. SET DOUBLE D. FIR 17" DIA (SOUTH TRUNK) BEARS S80-1/2°W, 32.94 FEET (TO 6" SPIKE WITH BRASS WASHER STAMPED "BENTON COUNTY SURVEYOR" (BCBW) SET IN SOUTH SIDE), MARKED "1/4 S3 BT". SET D. FIR 15" DIA BEARS N40°W, 60.54 FEET (TO 6" SPIKE AND BCBW IN NORTHEAST SIDE), MARKED "X BT". SET D. FIR 11" DIA BEARS S54°E, 80.07 FEET (TO 6" SPIKE AND BCBW IN NORTHEAST SIDE), MARKED "1/4 S3 BT". SET 5/8" IRON ROD WITH PLASTIC CAP MARKED "LS1084" BEARS N33°10'E, 12.60 FEET. SET ORANGE FIBERGLASS "SURVER MARKER" POST 0.7 FEET WEST OF CAP.*
- [07] BENTON COUNTY SURVEY NO. 9109 BY JIM S. PETERSON, P.L.S., DATED MARCH 8, 1996. *FOUND 2-1/2" BRASS CAP.*
- [08] BENTON COUNTY SURVEY NO. 9139 BY JIM S. PETERSON, P.L.S., DATED OCTOBER 10, 1996. *FOUND 2-1/2" BRASS CAP.*
- [09] BENTON COUNTY SURVEY NO. 9366 BY JIM S. PETERSON, P.L.S., DATED DECEMBER 11, 1998. *FOUND 2-1/2" BRASS CAP.*

**FIRM/AGENCY:** BENTON COUNTY SURVEYOR'S OFFICE  
**ADDRESS:** 360 S.W. AVERY AVE., CORVALLIS, OR 97333; PH. 541-766-6821  
**RESEARCH BY:** DAVID L. MALONE, P.L.S.  
**DATA ENTRY BY:** SAME

DATE 07/30/1996TOWNSHIP 11 SOUTH, RANGE 6 WEST, WILLAMETTE MERIDIAN; SECTION 3 CORNER N 1/4  
DONATION LAND CLAIM \_\_\_\_\_ CORNER \_\_\_\_\_**COMMON CORNER(S):**

THE SOUTH LINE OF SECTION 34 IN TOWNSHIP 10 SOUTH, RANGE 6 WEST.

**UPDATES AND REVISIONS:****CORNER RECORDS (PREVIOUS RENEWALS, SURVEYS, ETC.)**

- [01] ORIGINAL GLO SURVEY BY GEORGE W. HYDE DATED FEBRUARY 28, 1855. *SET CHARRED STAKE, MADE MOUND AND TRENCH.*  
[02] COUNTY SURVEY NO. 1121 BY WALTER W. LARSEN DATED OCTOBER 16, 1929, (FIELD BOOK NO. 43, PAGE 6). *1" ROD AND PILE OF STONES 15.10 CHAINS. EAST OF SOUTH QUARTER CORNER SECTION 34.*  
[03] OLD CORNER RESTORATION BOOK NO. 1, PAGE 188 BY WALTER W. LARSEN DATED OCTOBER 16, 1929. *SET 1" ROD AND PILE OF STONES 15.10 CHAINS. EAST OF 1" ROD.*  
[04] CORNER RESTORATION NO. 818. *THIS IS A TRANSCRIBED COPY OF RECORD [03] AND CONTAINS ERRORS AND/OR OMISSIONS.*  
[05] MAP NO. 10-6-00016 BY WALTER W. LARSEN (NO DATE GIVEN). *STONES AND 1" ROD.*

**COMMENTS/LOCATION/ETC:****NOTES:**

THIS IS A MICROSOFT WORD (VERSION 5.0) DOCUMENT NAMED "16440700" CREATED FROM A BOILER PLATE DOCUMENT NAMED "HISTORY", WHICH HAS A STYLESHEET NAMED "CORNER" ATTACHED TO IT.  
INFORMATION IN BOLD ITALICS IS COUNTY STAFFS' INTERPRETATION OF THE RECORD.

**FIRM/AGENCY:** BENTON COUNTY SURVEYOR'S OFFICE**ADDRESS:** 360 S.W. AVERY AVE. CORVALLIS OR 97333; PH. 757-6821**RESEARCH BY:** CURTIS J. LIESENFELT/MARK E. ANDERSON**DATA ENTRY BY:** ROSE LINDGREN

**BENTON COUNTY CORNER RESTORATION FORM, PAGE 1 OF 1  
SEE CORNER HISTORY FORM FOR RECORDS, ETC.**

CORNER RESTORATION FIELD BOOK NO. \_\_\_ PAGE \_\_\_ DATE 6-19-96  
 TOWNSHIP 11 SOUTH, RANGE 6 WEST, W.M. SECTION 3 CORNER N1/4  
 DONATION LAND CLAIM \_\_\_\_\_ CORNER \_\_\_\_\_  
 CONDITION REPORT \_\_\_\_\_ REFERENCED OUT \_\_\_\_\_ RENEWED XX SURVEYED IN \_\_\_\_\_

**LOCATION AND COMMENTS:**

FROM THE KINGS VALLEY FIRE STATION DRIVE SOUTH FOR 0.25 MILES TO A GRAVEL ROAD TO THE LEFT. TAKE RIGHT FORK AND FOLLOW GRAVEL ROAD (THROUGH 4 GATES) FOR 2.0 MILES TO FORK. TAKE RIGHT FORK (ACROSS BRIDGE) FOR 0.9 MILES TO TEE. TAKE LEFT FOR 0.5 MILES TO FORK. TAKE DIRT ROAD TO RIGHT FOR 800' TO TANK TRAP. WALK SOUTHERLY ALONG SAID ROAD FOR APPROXIMATELY 250' TO POSTED AND BLAZED LINE. FOLLOW SAID LINE APPROXIMATELY 910' WEST TO CORNER. CORNER LIES ON WEST EDGE OF MEADOW, ON SOUTH SLOPE.

**MONUMENTS AND ACCESSORIES FOUND (CONDITION AND SOURCE):**

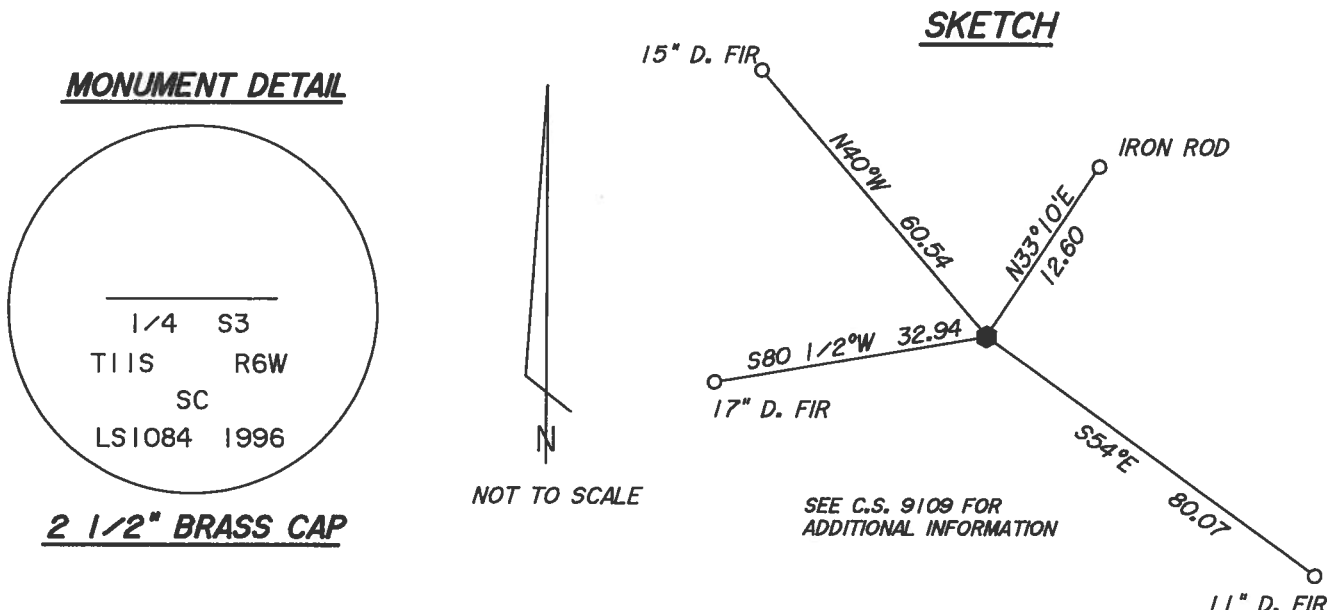
FOUND: 1/2" X 12" SPIKE WITH 1/4" ROUND HEAD (1" ROD AS PER RECORD [3]) IN MOUND OF STONE.  
 NOTE: THIS IS NOT AN ORIGINAL CORNER POSITION. THIS CORNER WAS CONSIDERED LOST, AND REESTABLISHED BY W.W. LARSEN 40.00 CHAINS EAST OF THE NW CORNER OF SECTION 3, T11S, R6W, AND ON LINE WITH THE SE CORNER OF SECTION 34, T10S, R6W. WHILE THIS PROCEDURE WOULD NOT BE TECHNICALLY CORRECT TODAY, IT DOES APPEAR THAT IT COULD BE JUSTIFIED BY SECTIONS 62 AND 63 OF THE 1909 "RESTORATION OF LOST OR OBLITERATED CORNERS AND SUBDIVISION OF SECTIONS," CIRCULAR BOOKLET. BECAUSE OF THIS AND THE AGE OF THE MONUMENT WE HAVE DECIDED TO ACCEPT IT AS THE TRUE CORNER.

**MONUMENT SET (PROCEDURES AND DESCRIPTION):**

SET: 2" INSIDE DIAMETER X 30" LONG IRON PIPE, WITH 2 1/2" BRASS CAP, FOR THE CORNER, STAMPED AS SHOWN. BURIED FOUND SPIKE ALONGSIDE CAP. BUILT MOUND OF STONE AROUND CORNER.

**NEW ACCESSORIES:**

- SET: 17" DOUBLE D. FIR (SOUTH TRUNK), S80 1/2°W, 32.94 FT. (TO SPIKE IN SOUTH SIDE) MARKED: "1/4 S3 BT"
- SET: 15" D. FIR, N40°W, 60.54 FT. (TO SPIKE IN NE SIDE) MARKED: "X BT"
- SET: 11" D. FIR, S54°E, 80.07 FT. (TO SPIKE IN NE SIDE) MARKED: "1/4 S3 BT"
- SET: 5/8" IRON ROD WITH PLASTIC CAP (LS1084), N33°10'E, 12.60 FT.
- SET: ORANGE FIBERGLASS "SURVEY MARKER" POST 0.7' WEST OF CAP



**NOTES:**

BASIS OF BEARINGS IS G.H.C. 10-6-00016. ALL MEASURED DISTANCES AND BEARINGS ARE TO THE CENTER OF THE OBJECT. ALL BEARING TREES ARE PAINTED (WITH A 6" BAND), HAVE A BT TAG ATTACHED, AND HAVE A BRASS WASHER (STAMPED "BENTON COUNTY SURVEYOR") ATTACHED WITH A 6" SPIKE TO THE SIDE CENTER OF THE TREE.

**FIRM/AGENCY:** PETERSON & ASSOCIATES  
**ADDRESS:** 8155 NW MITCHEL DR - CORVALLIS, OR  
**SURVEYOR:** JIM S. PETERSON PH. 757-1794  
**SURVEY CREW:** COLTER HESSEL - BRIAN PETERSON

REGISTERED PROFESSIONAL LAND SURVEYOR

OREGON  
 JULY 31, 1976  
 JIM S. PETERSON  
 1084

EXPIRES: 12-31-96

CORNER RESTORATION BOOK NO. 1

Aug 17, 1929  
W. H. L.  
Witness

V. W. Cor. Sec. 6 T. 11 S. R. 6 W. <sup>stake rotted out Re-set - B.W. & Co. Salt Lake City, Utah May 28, 1901  
Mr. Moser of M.B. Lbr. Co.</sup>  
Set 3" stake and small stone from which a  
Maple 20" in dia. bears  $S 33\frac{1}{2}^{\circ} E$  1.00 chains Sd.  
Fir 24" " " "  $S 53\frac{1}{2}^{\circ} W$  .98 " "  
" 7ft. " " "  $S 55^{\circ} E$  .20 to face  
" 7ft. " " "  $N 16^{\circ} E$  .42 " " "

Oct. 16, 1929  
W. H. L.  
Henry Plunkett  
Witness

N. W. Corner of Sec. 3, T. 11 S. R. 6 W.  
Set 1" iron rod and stake from which a  
Maple bears  $S 53^{\circ} E$  .25 chains standing  
" " "  $S 74^{\circ} E$  .25 " "  
" 14" in dia. "  $N 24^{\circ} W$  .096 "

"  
 $\frac{1}{4}$  corner on south of Sec 34 T. 10 S. R. 6 W.  
Set iron rod and pile of stones from which an  
Oak 12" in diameter bears south  $E 77\frac{1}{2}^{\circ}$  slope chs  
Fir 18" " " "  $S 9\frac{1}{2}^{\circ} E$  1.84 "



"  
 $\frac{1}{4}$  corner on north of Sec 3 T. 11 S. R. 6 W.  
Set 1" rod and pile of stones 15.10 E of rod.

S. E. Corner of Sec. 34 T. 10 S. R. 6 W.  
Set 1" rod from which a  
Maple 14" in diameter bears  $N 11\frac{1}{2}^{\circ} E$  .66 chs Sd.  
Fir 24" " " "  $S 87\frac{1}{2}^{\circ} E$  .122 "

"  
N. E. Corner of H. S. Hallock Ct. 59 T. 11 S. R. 6 W.  
Set  $\frac{1}{2}$ " x  $\frac{1}{2}$ " iron bar .023 W. of sec. 1410  
Fir 5" in diameter bears  $N. 70^{\circ} E$  .388 chains  
Oak 5" " " "  $N. 75^{\circ} E$  1.30 orig "

"  
 $\frac{1}{4}$  corner on west of Sec 3, T. 11 S. R. 6 W.  
Set 3" bolt from which  
Fir 12" in diameter bears  $N. 70^{\circ} E$  .157 chs  
" 12" " " "  $S 38^{\circ} E$  .2.196 "  
orig Oak 20" " " "  $S 70^{\circ} E$  .2.222 "  
" 30" " " "  $N 43^{\circ} E$  .778 "

"  
S. W. corner of Sec. 3, T. 11 S. R. 6 W.  
1" or 1 1/2 stone from which a  
Maple 12" in dia bears  $S 53^{\circ} E$  .25 chains  
Oak 15" in dia bears  $S 53^{\circ} E$  .25 chains  
" 15" " " "  $N 69^{\circ} E$  .2.45 "  
" 20" " " "  $N 26^{\circ} W$  .3.70 "  
Fir 27" " " "  $N 22^{\circ} E$  .17 "

May 15, 1930  
W. H. L.  
Witness

Oak post 5' N.W. cor. Sec. 34 T. 10 S. R. 6 W.  
Oak 12" in dia bears  $S 53^{\circ} E$  .25 chains  
" 12" " " "  $N 69^{\circ} E$  .2.45 "  
" 15" " " "  $N 26^{\circ} W$  .3.70 "

$\frac{1}{4}$ -Section corner on north of section 3, Twp. 11 S., R. 6 W.

818

Reestablishment by W. C. Galloway

October 1929

967

Set 1" rod and pile of stone 15.10 chains E. of 1" rod.

Witness Henry Plunkett