

117300700

DATE 03/01/2021TOWNSHIP 11 SOUTH, RANGE 7 WEST, WILLAMETTE MERIDIAN; SECTION 4 CORNER NORTHWEST
DONATION LAND CLAIM N/A CORNER N/A**COMMON CORNER(S):**

NORTHEAST CORNER SECTION 5

RECORDS (INFORMATION IN *BOLD ITALICS* IS COUNTY STAFFS' INTERPRETATION OF THE RECORD)

BASED ON EXTENSIVE RESEARCH AND RECOVERY OF EVIDENCE, THIS OFFICE HAS DETERMINED THAT MOST GENERAL LAND OFFICE SURVEYORS IN BENTON COUNTY BEFORE 1890 MEASURED TO THE FACE OF BEARING TREES.

- [01] GENERAL LAND OFFICE (GLO) NOTES BY DENNIS HATHORN, D.S., DATED APRIL 26, 1855. *SET POST FROM WHICH A FIR 12" DIA BEARS S35°W, 275 LINKS (181.50 FEET); FIR 30" DIA BEARS S22°E, 65 LINKS (42.90 FEET); FIR 12" DIA BEARS N5°E, 271 LINKS (178.86 FEET); FIR 12" DIA BEARS N21°W, 273 LINKS (180.18 FEET).*
- [02] GENERAL LAND OFFICE (GLO) NOTES BY DENNIS HATHORN, D.S., DATED DECEMBER 5, 1856. *STANDARD CORNER.*
- [03] ANDREW PORTER RECORD BOOK OF SURVEYS, PAGE 99, C.S. NO. 61, BY ANDREW L. PORTER, C.S., DATED OCTOBER 31, 1890. *SET NEW POST. BEARING TREES IN GOOD ORDER.*
- [04] BENTON COUNTY SURVEY NO. 580 (OLD NO. 229) FIELD NOTES (FIELD BOOK 19, PAGE 59) BY BURT WILKES, D.C.S., DATED FEBRUARY 9, 1917. *REESTABLISHED FIR LIMB. BEARINGS TO ALL TREES OK. SOUTHEAST AND NORTHWEST TREES MEASURE OK, OTHERS NOT CHECKED.*
- [05] BENTON COUNTY CORNER RESTORATION BOOK NO. 1, PAGE 119, BY BURT WILKES, D.C.S., DATED FEBRUARY 8, 1917. *SET FIR LIMB, ORIGINAL CORNER. FIR 12" DIA (GLO BT) BEARS N5°E, 2.71 CHAINS (178.86 FEET); FIR 30" DIA (GLO BT) BEARS S22°E, 0.65 CHAINS (42.90 FEET); FIR 12" DIA (GLO BT) BEARS S35°W, 2.75 CHAINS (181.50 FEET); FIR 12" DIA (GLO BT) BEARS N21°W, 2.73 CHAINS (180.18 FEET).*
- [06] BENTON COUNTY CORNER RESTORATION NO. 987. *TRANSCRIBED FROM RECORD [05] AND MAY CONTAIN ERRORS AND/OR OMISSIONS.*
- [07] BENTON COUNTY SURVEY NO. 535 (OLD NO. 229) MAP BY BURT WILKES, D.C.S., DATED MARCH 5, 1917. *SET FIR LIMB. FIR 12" DIA (GLO BT) BEARS N5°E, 2.71 CHAINS (178.86 FEET); FIR 30" DIA (GLO BT) BEARS S22°E, 0.65 CHAINS (42.90 FEET); FIR 12" DIA (GLO BT) BEARS S35°W, 2.75 CHAINS (181.50 FEET); FIR 12" DIA (GLO BT) BEARS N21°W, 2.73 CHAINS (180.18 FEET).*
- [08] BENTON COUNTY SURVEY NO. 1710 (OLD NO. 172) BY CURTIS C. HANSON, D.C.S., DATED FEBRUARY 24, 1945. *FOUND FIR LIMB ROTTED OFF. REPLACED WITH 1" GALVANIZED IRON PIPE. FIR 12" DIA (GLO BT) BEARS N5°E, 2.71 CHAINS (178.86 FEET); FIR 30" DIA (GLO BT) BEARS S22°E, 0.65 CHAINS (42.90 FEET), STUMP BURNT; FIR 12" DIA (GLO BT) BEARS S35°W, 2.75 CHAINS (181.50 FEET); FIR 12" DIA (GLO BT) BEARS N21°W, 2.73 CHAINS (180.18 FEET).*
- [09] BENTON COUNTY MAP NO. 10-7-00018 BY BURT WILKES, D.C.S., DATED MARCH 3, 1917. *SET 1" GALVANIZED PIPE. FIR 12" DIA (GLO BT) BEARS N5°E, 2.71 CHAINS (178.86 FEET); FIR 30" DIA (GLO BT) BEARS S22°E, 0.65 CHAINS (42.90 FEET), STUMP BURNT; FIR 12" DIA (GLO BT) BEARS S35°W, 2.75 CHAINS (181.50 FEET); FIR 12" DIA (GLO BT) BEARS N21°W, 2.73 CHAINS (180.18 FEET).*
- [10] BENTON COUNTY MAP NO. 11-7-00001 BY W. C. GALLOWAY, C.S., DATED FEBRUARY, 1915. *1" I.P.*
- [11] BENTON COUNTY MAP NO. 11-7-00002 BY W. C. GALLOWAY, C.S., DATED MAY, 1920. *1" PIPE.*
- [12] BENTON COUNTY CORNER RESTORATION FORM NO. 117300700N1 BY MARK E. STEELE, P.L.S., DATED JUNE 28, 1994. *IN 1980 VISIT TO THIS CORNER FOUND OLD 1" IRON PIPE LYING ON NORTHEAST BEARING TREE STUMP AND A NEW 1" IRON PIPE DRIVEN IN CORNER AREA. THIS NEW PIPE AGREES WITH HARD COPY 00001 AND I ACCEPT IT AS BEING IN POSITION OF COUNTY RESTORATION NO. 987. CUT FIR STUMP 40"-48" DIA (GLO BT) BEARS S36°39'W, 180.30 FEET TO CENTER, FACE NOT OPENED; FIR SNAG STUMP 30"+ DIA (GLO BT) BEARS S22°26'E, 43.27 FEET TO CENTER, NO FACE VISIBLE; CUT FIR STUMP 48" DIA (GLO BT) BEARS N5°58'E, 182.77 FEET TO CENTER, FACE 10" FROM CENTER NOT OPENED; GREEN FIR TREE 62" DIA (GLO BT) BEARS N19°53'W, 183.55 FEET TO ESTIMATED CENTER, FACE NOT OPENED. SET 1-1/2" X 30" ALUMINUM PIPE WITH 3-1/4" ALUMINUM CAP MARKED "STATE OF OREGON DEPARTMENT OF FORESTRY S5 S4 T11S R7W SC 1994 RS 2016" OVER 1" IRON PIPE, 28" IN GROUND, AND FROM WHICH A FIR 19" DIA BEARS N72°E, 13.98 FEET TO A WASHER MARKED "RS2016" AND NAILED INTO BOTTOM OF FACE SCRIBED "X BT"; FIR 12" DIA BEARS S28°E, 13.02 FEET TO A WASHER MARKED "RS2016" AND NAILED INTO BOTTOM OF FACE SCRIBED "T11S R7W S4 SC BT"; FIR 24" DIA BEARS S50°W, 33.21 FEET TO A WASHER MARKED "RS2016" AND NAILED INTO BOTTOM OF FACE SCRIBED "T11S R7W S5 SC BT". SET 4" X 4" X 72" WHITE PAINTED CEDAR POST 1.0 FEET NORTHEAST.*
- [13] BENTON COUNTY SURVEY NO. 8855 BY MARK E. STEELE, P.L.S., DATED JUNE 28, 1994. *FOUND OREGON STATE DEPARTMENT OF FORESTRY 1-1/2" INSIDE DIAMETER X 30" ALUMINUM PIPE WITH 3-1/2" ALUMINUM CAP AND MAGNET. 7 BEARING TREES.*

FIRM/AGENCY: BENTON COUNTY SURVEYOR'S OFFICE
ADDRESS: 360 S.W. AVERY AVE., CORVALLIS, OR 97333; PH. 541-766-6821
RESEARCH BY: DAVID L. MALONE, P.L.S.
DATA ENTRY BY: SAME

BENTON COUNTY CORNER RESTORATION FORM

117300700N1

SECTION 5 & 4 TOWNSHIP 11S RANGE 7W W.M. BLM ID _____

DLC _____ CORNER STANDARD SECTION CORNER

DATE 6/28/94 CORNER RESTORATION FIELD BOOK ___ PAGE ____

ORIGINAL:

POST, NOW MISSING
(MEASUREMENTS BELOW FROM FOUND 1" IRON PIPE)
12" FIR S35°W 275 LKS., NOW 40"-48" CUT STUMP BEARS S36°39'W 180.30' TO CENTER (FACE NOT OPENED).
30" FIR S22°E 65 LKS., NOW 30"+ SNAG STUMP BEARS S22°26'E 43.27' TO CENTER (NO FACE VISIBLE).
12" FIR N05°E 271 LKS., NOW 48" CUT STUMP BEARS N05°58'E 182.77' TO CENTER (FACE 10" FROM CENTER NOT OPENED).
12" FIR N21°W 273 LKS., NOW 62" GREEN TREE BEARS N19°53'W 183.55' TO ESTIMATED CENTER (FACE NOT OPENED).

RESTORATION: (COUNTY RESTORATION #987)

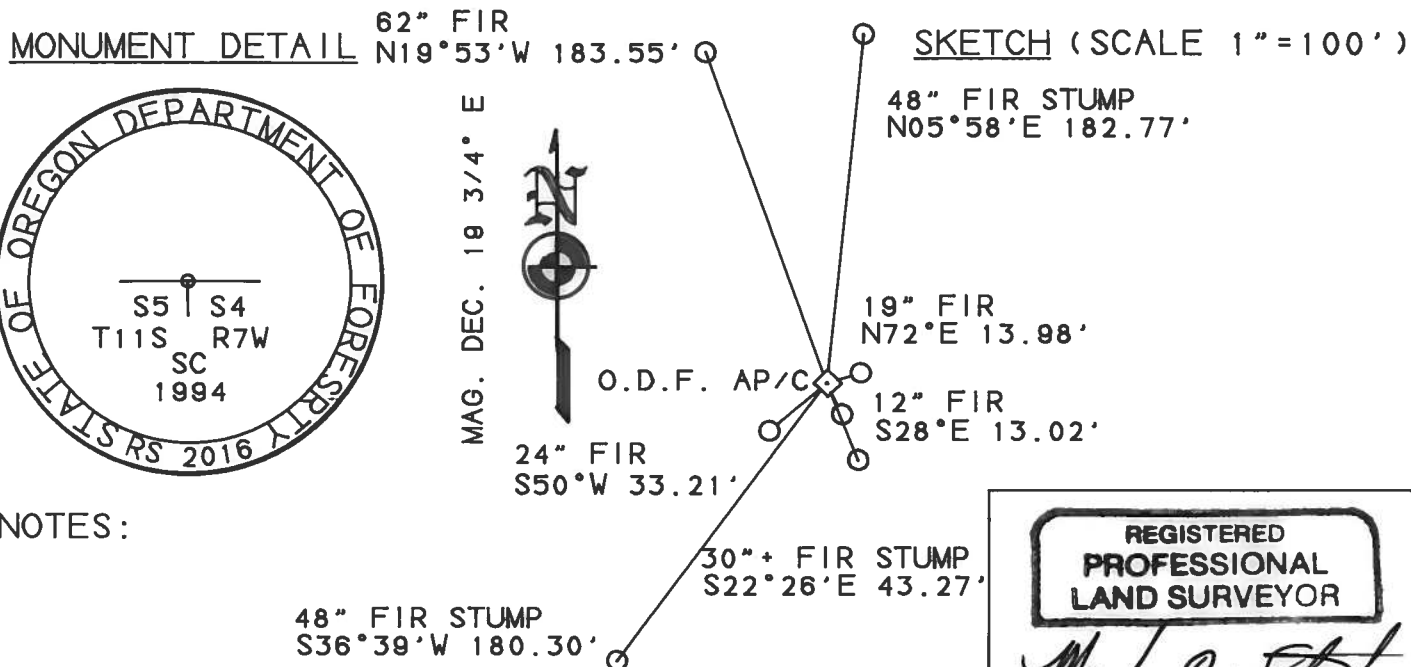
1" IRON PIPE, NOW MISSING, NOTE: IN 1980 VISIT TO THIS CORNER I FOUND OLD 1" IRON PIPE LYING ON N.E. B.T. STUMP AND A NEW 1" IRON PIPE DRIVEN IN CORNER AREA. THIS NEW PIPE AGREES WITH HARD COPY 00001 AND I ACCEPT IT AS BEING IN POSITION OF COUNTY RESTORATION #987.

RESTORATION:

SET 1 1/2" X 30" ALUMINUM PIPE WITH 3 1/4" ALUMINUM CAP OVER 1" IRON PIPE (NOTED ABOVE). 28" IN GROUND AND FROM WHICH A:
19" FIR N72°E 13.98' TO A WASHER MARKED RS2016 AND NAILED INTO BOTTOM OF FACE SCRIBED "X BT".
12" FIR S28°E 13.02' TO A WASHER MARKED RS2016 AND NAILED INTO BOTTOM OF FACE SCRIBED "T11S R7W S4 SC BT".
24" FIR S50°W 33.21' TO A WASHER MARKED RS2016 AND NAILED INTO BOTTOM OF FACE SCRIBED "T11S R7W S5 SC BT".

SET 4"X4"X72" WHITE PAINTED CEDAR POST 1.0' N.E.
YELLOW METAL LOCATION PLAQUE NAILED TO N.W. B.T..

NOTE: BEARINGS WERE OBSERVED WITH HAND COMPASS AND DISTANCES WERE MEASURED WITH STEEL TAPE.



NOTES:

WITNESS:

CHRIS J. HUMCKE

FIRM/AGENCY:

OREGON DEPARTMENT OF FORESTRY
24533 ALSEA HIGHWAY
PHILOMATH, OREGON 97370

REGISTERED
PROFESSIONAL
LAND SURVEYOR

Mark E. Steele
OREGON
JULY 18, 1982
MARK E. STEELE
2010

EXPIRES 12-31-94

BENTON COUNTY CORNER RESTORATION BOOK NO. 1

C.S. #224 Cont.

Cor. of Secs. 19, 20, 29 & 30 - T. 12 S., R. 4 W.
 at corner's stake in ground
 Set. 2" Liron $4\frac{1}{2}$ ' long, from which

- Oak 5" in diam. bears S. 64° 30' E. 192 Chs. dist.
- " 9" " " " S. 57° 30' W. 482 " "
- " 6" " " " N. 26° 15' W. 318 " "
- " 40" " " " N. 40° E. 1.87 " " Orig - True bearing N 41° E.

Witness by - J.R. & S.P. Williamson & Wm. E. Eggy. Dec. 7, 1916 - 211

C.S. # 228

W.C. to S.W. Cor. Ira Hunter D.L.C. # 43 - T. 11 S., R. 4 W.
 1508 Chs. N. & 028 Chs. E. of true cor.
 Set. heart oak stake, for W.C. from which

- Fir 10" in diam. bears N. 75 $\frac{1}{2}$ ° E. 457 Chs. dist
- " 8" " " " N. 2° E. 320 " "

Note - This cor. should go West. 148 Chs. to true position -

Witnessed by M.H. Bauer, Clair & Elinor Wilkes & Beck. Feb. 4 - 1917

C.S. # 229

5th Cor. of Secs. 4 & 5 - T. 11 S., R. 7 W. - on 2nd Std. Parallel, South.
 Set. Fir limb, Orig. Cor.

- " Fir 12 ins. in diam. bears N. 5° E. 2.71 Chs. dist" Orig
- " Fir 30 " " " " S. 22° E. .65 " " "
- " Fir 12 " " " " S. 35° W. 2.75 " " "
- " Fir 12 " " " " N. 21° W. 2.73 " " "

Witnessed by F.E. Reynolds, J.G. Mustoe & Geo Thral Feb. 8, 1917



" 6th Cor. of Secs. 32 & 33 - T. 10 S., R. 7 W. - on 2nd Std. Par. S.

Set stone 12"x12"x6", from which

- " Fir ¹⁵48" in diam. bears N. 35° W. 820 Chs. dist" Orig
- W. Fir 7" " " " N. 26° E. 497 " "

Witnessed as above Cor.

Feb 18, 1917

" 11. " 5th Sec. Cor. to sec. 5 - T. 11 S., R. 7 W. - on 2nd Std. Par'l. S.

Set 1 $\frac{1}{2}$ " Galv. pipe, from which

- " Fir 18" in diam. bears N. 38° E. 4.22 Chs. dist." Orig.

Witnessed as above

Feb. 17, 1917.

" 5th Cor. of Secs. 5 & 6 - T. 11 S., R. 7 W. - on 2nd Std. Par'l S.

Set. 1" Pipe, from which

- " Burnt Fir 48" in diam. bears N. 13° E. 420 Chs. dist." Orig.
- Fir 12" " " " N. 41° E. 119 " "

Witnessed as above.

Feb. 20, 1917

" 5th Cor. of Secs. 31 & 32 - T. 10 S., R. 7 W. - on 2nd Std. Par'l. S.

Set Fir limb 5"x5"x32" from which.

- " Burnt Fir 30" in diam. bears N. 38° W. 520 Chs. dist." Orig.
- Fir 9" " " " N. 26° 40' W. 279 " "
- Fir 14" " " " N. 31° 45' E. 237 " "

Witnessed as above.

Feb. 10, 1917

" 1/4 Sec. Cor. bet. Secs. 31 & 32 - T. 10 S., R. 7 W. Stone 18"x13"x12" from which

Fir 9" in diam. bears N. 30° W. 1,090 Chs. dist. Maple 15" N. 12 $\frac{1}{2}$ ° W. 473 Chs. dist.

Tripple Maple 18" " " " N. 54° E. 1,052 " "

Witnessed as above. Feb. 14, 1917

Corner of sections 4 and 5, Twp. 11 S., R. 7 W., 2nd std. parallel south.

Reestablishment by W. C. Galloway

February 8, 1917

Set Fir limb, original corner

987

Fir 12" in diam bears N 5° E	2.71 chains
Fir 30" in diam bears S 22° E	.65 chains
Fir 12" in diam bears S 35° W	2.75 chains
Fir 12" in diam bears N 21° W	2.73 chains

Witnessed by F. E. Reynolds, J. G. Mustoe, and George Thral