

**125400200**

## CORNER FILE TRACKING

<b>CORNER NUMBER</b>
125400200

STEP	HISTORY	RESTORATION
Form Prepared, DB	8/31/21	10/23/89
Field Inspection, DB	-	10/23/1989
Finish index (count unit)	8/31/21	10/23/89
Counter Index	8/31/21	
GIS Index Form	8/31/21	
Checked, DB	8/31/21	
Form Edited, DB	8/31/21	
Form Signed, DB	-	
Authorize Payment, DB	-	
Archive Digital Files	8/31/21	
Collect Documents	8/31/21	
PDF File	8/31/21	
Copy For Filming	8/31/21	
Scanned (pdf to laserfiche)	8/31/21	
Filmed (Archived), DB		
Filed, DB		

(DB) = Entry needed in database (Access).

### COMMENTS:

DATE 08/31/2021TOWNSHIP 12 SOUTH, RANGE 5 WEST, WILLAMETTE MERIDIAN; SECTION 27 CORNER SOUTHWEST  
DONATION LAND CLAIM N/A CORNER N/A**COMMON CORNER(S):**SOUTHEAST CORNER SECTION 28  
NORTHEAST CORNER SECTION 33  
NORTHWEST CORNER SECTION 34**RECORDS (INFORMATION IN *BOLD ITALICS* IS COUNTY STAFFS' INTERPRETATION OF THE RECORD)**

BASED ON EXTENSIVE RESEARCH AND RECOVERY OF EVIDENCE, THIS OFFICE HAS DETERMINED THAT MOST GENERAL LAND OFFICE SURVEYORS IN BENTON COUNTY BEFORE 1890 MEASURED TO THE FACE OF BEARING TREES.

- [01] GENERAL LAND OFFICE (GLO) NOTES BY GEORGE W. HYDE, D.S., DATED FEBRUARY 1, 1853. *SET POST. DROVE CHARRED STAKE. MADE MOUND WITH TRENCH AS PER INSTRUCTIONS.*
- [02] BENTON COUNTY SURVEY NO. 563 FIELD NOTES (FIELD BOOK 19, PAGE 42) BY BURT WILKES, D.C.S., DATED 1916. *TEMP POINT.*
- [03] BENTON COUNTY MAP NO. 13-5-00004 BY W. C. GALLOWAY, C.S., DATED DECEMBER 18, 1920. *CORNER NOT DESCRIBED.*
- [04] BENTON COUNTY SURVEY NO. 1444 (OLD NO. 131) FIELD NOTES (FIELD BOOK 63, PAGE 85) BY W. C. GALLOWAY, C.S., DATED SEPTEMBER 9, 1939. *SET 1-1/4" X 30" PIPE.*
- [05] BENTON COUNTY CORNER RESTORATION BOOK NO. 1, PAGE 223, BY W. C. GALLOWAY, C.S., DATED SEPTEMBER, 1939. *SET A 1-1/4" PIPE FROM PIPES SOUTH. 1" PIPE BEARS S0°01'E, 20.000 CHAINS (1320.00 FEET); 1" PIPE BEARS N89°38'E, 13.567 CHAINS (895.42 FEET); 1" IRON BAR BEARS S89°44-1/2'W, 19.655 CHAINS (1297.23 FEET), BEARINGS FROM RAILROAD AS S5°30'W.*
- [06] BENTON COUNTY CORNER RESTORATION NO. 1231. *TRANSCRIBED FROM RECORD [05] AND MAY CONTAIN ERRORS AND/OR OMISSIONS.*
- [07] BENTON COUNTY MAP NO. 12-5-00047 BY W. C. GALLOWAY, C.S., DATED SEPTEMBER, 1939. *1-1/4" PIPE.*
- [08] BENTON COUNTY SURVEY NO. 1541 (OLD NO. 137) FIELD NOTES (FIELD BOOK 94, PAGE 14) BY W. C. GALLOWAY, C.S., DATED SEPTEMBER 19, 1941. *1-1/4" PIPE.*
- [09] BENTON COUNTY MAP NO. 12-5-00041 BY UNKNOWN DRAFTSMAN, DATED SEPTEMBER, 1941. *1-1/4" PIPE.*
- [10] BENTON COUNTY SURVEY NO. 9685 BY UNKNOWN DRAFTSMAN, NO DATE GIVEN. *CORNER NOT DESCRIBED.*
- [11] BENTON COUNTY SURVEY NO. 1556 (OLD NO. 137) FIELD NOTES (FIELD BOOK 94, PAGE 29) BY W. C. GALLOWAY, C.S., DATED JANUARY 24, 1942. *CORNER NOT DESCRIBED.*
- [12] BENTON COUNTY SURVEY NO. 7439 BY V. L. GOODNIGHT, P.E., DATED MARCH 6, 1947. *CORNER NOT DESCRIBED.*
- [13] BENTON COUNTY CORNER RESTORATION FORM NO. 3691 BY DANNA L. FEHRENBACHER, C.S., DATED OCTOBER 23, 1989. *FOUND 3/4" INSIDE DIAMETER IRON PIPE FOR THE CORNER, FIRMLY SET 0.5 FOOT BELOW SURFACE. FOUND 1" INSIDE DIAMETER IRON PIPE BEARS S88°E, 895.64 FEET. SET A 2" INSIDE DIAMETER X 36" LONG IRON PIPE WITH A 3-1/4" BENTON COUNTY BRASS CAP STAMPED "T12S R5W S28 S27 S33 S34 1989", 0.5 FOOT BELOW SURFACE, CENTERED OVER THE RECOVERED 3/4" IRON PIPE. SET 5/8" X 30" REBAR WITH A YELLOW PLASTIC CAP MARKED "BENTON COUNTY SURVEYOR", 0.5 FOOT BELOW SURFACE, BEARS N36°W, 17.60 FEET. SET 5/8" X 30" REBAR WITH A YELLOW PLASTIC CAP MARKED "BENTON COUNTY SURVEYOR", 0.5 FOOT BELOW SURFACE, BEARS N63°E, 16.96 FEET. SET 5/8" X 30" REBAR WITH A YELLOW PLASTIC CAP MARKED "BENTON COUNTY SURVEYOR", 0.4 FOOT BELOW SURFACE, BEARS S34°E, 22.21 FEET. SET 5/8" X 30" REBAR WITH A YELLOW PLASTIC CAP MARKED "BENTON COUNTY SURVEYOR", 0.5 FOOT BELOW SURFACE, BEARS S45°W, 22.18 FEET. SET ORANGE FIBERGLASS "SURVEY MARKER" POST 1 FOOT SOUTHERLY.*

**FIRM/AGENCY:** BENTON COUNTY SURVEYOR'S OFFICE  
**ADDRESS:** 360 S.W. AVERY AVE., CORVALLIS, OR 97333; PH. 541-766-6821  
**RESEARCH BY:** DAVID L. MALONE, P.L.S.  
**DATA ENTRY BY:** SAME

BENTON COUNTY CORNER RESTORATION FORM

125400200

3691

SECTION 34 TOWNSHIP 12 S RANGE 5 W DLC \_\_\_\_\_ CORNER NW  
 DATE 10/23/89 CORNER RESTORATION FIELD BOOK NUMBER 6 PAGE 19

CORNER DESIGNATION:

THE CORNER COMMON TO SECTIONS 27, 28, 33 & 34,  
 T 12 S R 5 W, WILLAMETTE MERIDIAN.



- \_\_\_\_\_ CONDITION REPORT ONLY
- \_\_\_\_\_ REFERENCED OUT
- XX RENEWED
- \_\_\_\_\_ SURVEYED IN

LOCATION AND COMMENTS:

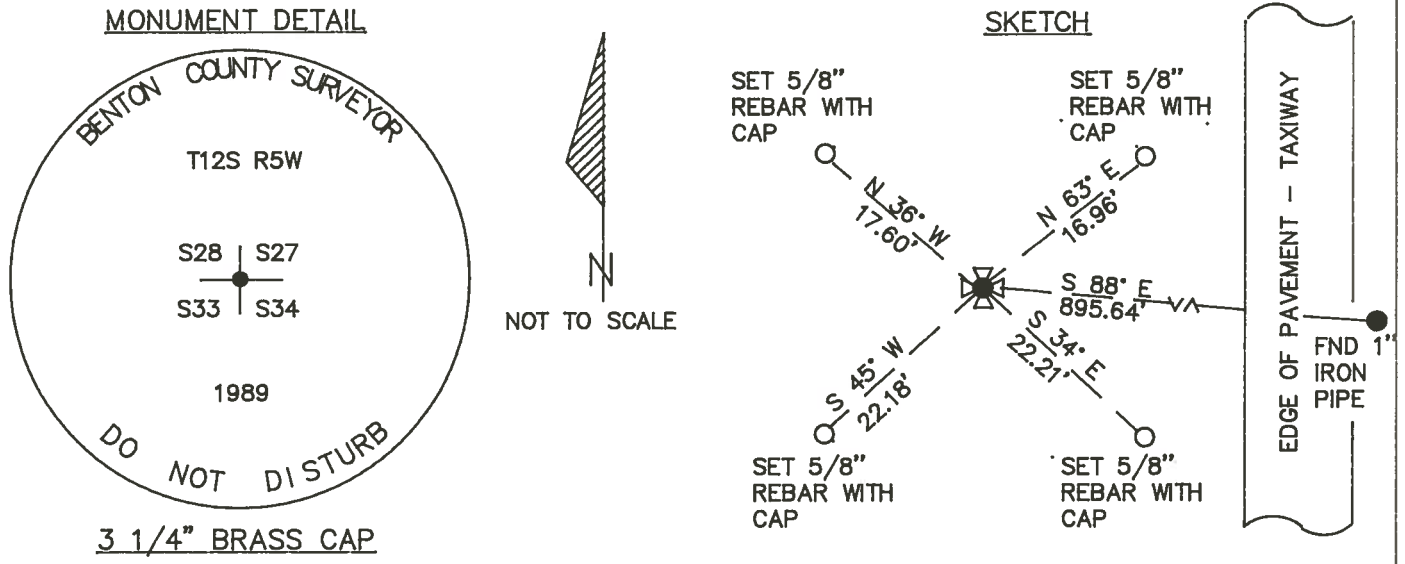
THE CORNER IS LOCATED APPROXIMATELY 375 FEET NORTHERLY OF THE SOUTH END OF THE PARALLEL TAXIWAY AND 225 FEET EASTERLY OF THE EAST EDGE OF RUNWAY NO. 35 AT THE CORVALLIS MUNICIPAL AIRPORT.

PREVIOUS RENEWALS/SURVEYS, ETC.:

ORIGINAL SURVEY BY G. W. HYDE IN 1853.  
 CORNER RESTORATION NO. 1231 BY W. C. GALLOWAY IN 1939.

MONUMENTS AND ACCESSORIES FOUND (CONDITION AND SOURCE):

- FOUND: 3/4" INSIDE DIAMETER IRON PIPE FOR THE CORNER, FIRMLY SET 0.5 FOOT BELOW SURFACE (CORNER RESTORATION NO. 1231).
- FOUND: 1" INSIDE DIAMETER IRON PIPE BEARS S 88° E 895.64 FEET (N 89° 38' E 895.42 FEET, GALLOWAY MAP NO. 12-5-00047).
- NO OTHER RECORD BEARING OBJECTS WERE RECOVERED.



MONUMENT SET (PROCEDURES AND DESCRIPTION):

SET A 2" INSIDE DIAMETER X 36" LONG IRON PIPE WITH A 3 1/4" BENTON COUNTY BRASS CAP, 0.5 FOOT BELOW SURFACE, STAMPED AS SHOWN, CENTERED OVER THE RECOVERED 3/4" IRON PIPE.

NEW ACCESSORIES :

- SET: 5/8" X 30" REBAR WITH A YELLOW PLASTIC CAP MARKED "BENTON COUNTY SURVEYOR", 0.5 FOOT BELOW SURFACE, BEARS N 36° W 17.60 FEET.
- SET: 5/8" X 30" REBAR WITH A YELLOW PLASTIC CAP MARKED "BENTON COUNTY SURVEYOR", 0.5 FOOT BELOW SURFACE, BEARS N 63° E 16.96 FEET.
- SET: 5/8" X 30" REBAR WITH A YELLOW PLASTIC CAP MARKED "BENTON COUNTY SURVEYOR", 0.4 FOOT BELOW SURFACE, BEARS S 34° E 22.21 FEET.
- SET: 5/8" X 30" REBAR WITH A YELLOW PLASTIC CAP MARKED "BENTON COUNTY SURVEYOR", 0.5 FOOT BELOW SURFACE, BEARS S 45° W 22.18 FEET.
- SET: ORANGE FIBERGLASS "SURVEY MARKER" POST 1 FOOT SOUTHERLY.

NOTES:

B.C.B.W. IS A BRASS WASHER STAMPED "BENTON COUNTY SURVEYOR". COMPASS DECLINATION IS 20° EAST. ALL MEASURED DISTANCES AND COMPASS BEARINGS ARE TO THE CENTER OF THE OBJECT, UNLESS OTHERWISE NOTED.

FIRM/AGENCY: BENTON COUNTY PUBLIC WORKS  
ADDRESS: 360 S.W. AVERY AVE. CORVALLIS OR. 97333; PH. 757-6821  
PARTY CHIEF: CURTIS J. LIESENFELT  
CREW: MARY BARRON  
WITNESS:

REGISTERED  
 PROFESSIONAL  
 LAND SURVEYOR

*Danna L. Fehrenbacher*

OREGON  
 JULY 16, 1982  
 DANNA L. FEHRENBACHER  
 1995

T12S R5W SEC. 34 NW COR.

FNO: 3/4" 1.0 I.P. FOR THE COR. FAMILY SET O.S. B.G. (COR. REST

No. 1231)

NO OTHER RECORD BEARING OBJECTS WERE RECOVERED

SET: 2" 1.0 x 36" LONG IRON PIPE @ A 3/4" BEN. CO. B.C.

STAMPO AS SHOWN CENTERED OVER THE RECOVERED

3/4" I.P. x 0.5' B.G.

5/8" x 30" REBAR @ A Y.P.C. MKD "BENTON COUNTY SUR-

VEYOR " 0.5' B.G. BEARS N36°W ~ 17.00'

5/8" x 30" REBAR @ A Y.P.C. MKD "BENTON COUNTY SUR-

VEYOR " 0.5' B.G. BEARS N 63°E ~ 16.96'

5/8" x 30" REBAR @ A Y.P.C. MKD "BENTON COUNTY SUR-

VEYOR " 0.4' B.G. BEARS S31°E ~ 22.21'

5/8" x 30" REBAR @ A Y.P.C. MKD "BENTON COUNTY SUR-

VEYOR " 0.5' B.G. BEARS S45°W ~ 22.18'

ORANGE FIBER GLASS " SURVIVY MARKER ASST 1' 5 1/4"

THE COR. IS LOCATED 375' ± N 1/4 OF THE S END OF THE

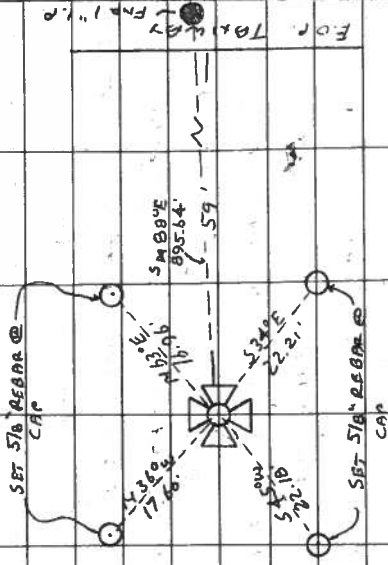
PARALLEL TAXIWAY & 235' ± E 1/4 OF THE E. EDGE

OF RUNWAY NO. 35 AT THE CORVALLIS AIRPORT

WOULD BE GOOD FOR PREMARKING & GPS CONTROL

6/19

10/23/89: CAD M.B.D.; SILVA COMP. 20° E. DEC.; BREED, COOL SHIMES



RECORD BEARING OBTAIN:

FNO: 1" 1.0 I.P. BEARS N 88° E + 895.64' (N 89° 38' E - 895.42'

GALLAGHER MAP NO. 12-5-000 47)

T12S R5W

528 527

CAP

533 534

1989

STAMPINGS

C.S. #131

W.C.G. sept. 1939

Witness

Adrian Seits

Corner to sections 27, 28, 33 and 34 T 12 S. R. 5 W.

Set a 1 1/4" pipe from pipes south  
1" Pipe bears S. 0° 01' E. 20.000 chains  
1" " " N. 89° 38' E. 13.567 "

1" Iron bar " S. 89° 44 1/2' W. 19.655 " bearings from P.R. as S 5° 30' W.



C.S. 131

sept. 9, 1939

Adrian Seits wit.

N.W. corner of John Baker Cl. 59 T 12 S. R. 5 W.

A. stone 24" x 14" x 12" Mkd. C.S. in place. We layed a stone 20" x 18" x 12" on north side of corner extending 14" above corner

C.S. 156

W.C. Galloway

Witnesses

Adrian Seits

Lester Small  
Dec. 14, 1938

Corner to Sections 4, 5, 8 and 9 T. 12 S. R. 7 W.

Set a 5/8" iron rod. needle bearing for trees

Fir 6" in dia. now 38" N. 51° 25' E. .690 std.

Mkd. " 22" " bears S 72° E. .123

" 16" " now 40" S. 80 1/2° W. .55 "

" 16" " " 36° N. 21° W. .89 "

C.S. 156

Adrian Seits

Lester Small

Linn Daniels

Dec. 16, 1938

1/4 Sec. Corner between sections 8 and 9 T. 12 S. R. 7 W.

Set 1" x 50" pipe 1/2 way on line. Trees gone

Mkd. fir 20" in dia. N. 13° E. .098 chs. mark for measure on W.

" " 36" " " S. 48° W. .569 " " " " " W.

" " 14" " " S 89 1/2° W. .535 " " " " " N.

C.S. #156

Adrian Seits

John Thompson Jr.

Lester Small

Nov. 28, 1938

Corner to sections 8, 9, 16 and 17 T. 12 S. R. 7 W.

Set 1" pipe 54" long. found stake

Fir 10" now 36" N. 6 1/2° W. .546 chs.

" 10" " 34" N. 66 1/2° E. .90 " std.

" 12" " 36" S. 20 1/2° E. 32 " " mark on W. for measure

" 16" " 34" S. 16° W. .59 " " " " " "

C.S. 156

Witnesses as

above and Linn

Daniels

Dec. 8, 1938

1/4 Sec. Cor. bet. secs. 8 and 9 T. 12-7

Set a 1" pipe, both cedar witness trees down.

Mkd. a fir 21" in dia. N. 52 1/2° E. .252 chs.

" " " 22" " " S. 78° W. .247 "

C.S. #156

Witnesses as above

agreeable crew.

Nice weather

Dec. 15, 1938

1/4 Corner between sections 8 and 17 T. 12 S. R. 7 W.

Set a truck axle. Found old wood verticle in stake hole. Orig. cor.

Alder 24" in dia. N. 16 1/4° E. 1.29 chs. std. 1/5 on bark

Fir 8" now 34" S. 5° E. .526 " " black bark

Mkd. fir. 20" N. 80° W. .180 "

C.S. #261

Bearing from

C.S. 321.

lined across

river into Linn Co

did not find cor.

Feb. 28, 1935

Meander Cor. 13.11 chs. East of 1/4 Sec. Cor. bet. Secs. 6 & 7 T. 13-4

Set a 1 1/4" pipe on W. bank of slough; Old river.

Mkd. fir 19" N. 21° E. .775 chs.

" W. " 32" S. 42° W. .230 "

" W " 36" N. 22° W. .485 " corr. stump.

Corner to sections 27, 28, 33, and 34, Twp. 12 S., R. 5 W.

1231

Reestablishment by W. C. Galloway

September 1939

Set a  $1\frac{1}{4}$ " pipe

1" pipe bears S  $0^{\circ}01'$  E

20.000 chains

1" pipe bears N  $89^{\circ}38'$  E

13.567 chains

1" iron bar bears S  $89^{\circ}44\frac{1}{2}'$  W

19.655 chains

Witness Adrian Seits