

- Most E. S.E. cor of
 Survey #67 W.C. Galloway Lake Mulkey D.L.C. # 37 Tp. 11-5. Look on p. 7.
 N. 72° 09' E. 20.114' July 7, 1910.
 Set stone 6" X 8" X 8" orig. cor. Witnesses J.A. Ganong & Milton Wyatt.
 Oak 30" in dia. bears S. 29° 30' E. 13 std.
 " 10" " " " S. 69° 48' W. 441 July 8, 1910.
 Indexed To
 " N.E. cor. of Isaac H. Newton D.L.C. #70 Tp. 12-5.
 Set 1/2 brick in sack under stone 6" X 8" X 14" July 16, 1910.
 " N.W. Abiather Newton D.L.C. #42 Tp. 12-5.
 Set concrete post 3 1/2" X 5" X 18" July 11, 1910.
 " N.E. of Abiather Newton D.L.C. #42 Tp. 12-5.
 Set stone 6" X 8" X 18" orig. cor. Witnesses J.A. Ganong & Milton Wyatt.
 An oak 15" in dia. bears S. 54° E. 3.58' std.
 " 12" " " " S. 10° 30' E. 4.35' "
 Witness J.A. Ganong & Milton Wyatt July 1, 1910.
- Survey #90 J.A. Ganong N.E. cor. of John Lloyd - Heirs of W. Miller D.L.C. #53 13-5
 Set 1/4" black pipe for cor. from which
 a oak 10" dia. bears N 57° E 1.233 lbs. dist.
 " " 16" " " N 13 3/4° W 1.528 " "
 Witness - Claude Buchanan Aug. 1910.
 S.E. stump still stdg.

- # 68
 W.C. Galloway, N.E. cor. J.D. Bryant D.L.C. 51 Tp 13-6
 Set a drawknife one stump std.
 An oak 20" in dia. bears N. 11° 30' W. 2.58' std.
 a do 16" " " " S 54° 35' W. 306'
 Witness A.W. Gray, B. Pickens, Joseph England June 23, 1910.
- " , N.W.
 Set Yew stake 3 1/2" X 24"
 Fir 20" in dia. bears S. 85° E. .345' cor.
 Oak 10" " " " S. 12° E. .38' std
 " 15" " " " S. 85° W. 1.16' "
 Witness A.W. Gray, B. Pickens & Joseph England June 23, 1910.
- " , S.W.
 Set
 Fir 10" in dia. bears S. 67° 37' E. .415'
 oak 10" " " " S 10° E. .32' std.
 Witness B. Pickens, Joseph England & A.W. Gray June 24, 1910.
- " , S.E.
 Set
 Fir 15" in dia. bears S. 5° 45' W. .146'
 Chincopin 9" " " " N. 67° 27' E. .178'
 Witness A.W. Gray, B. Pickens & Joseph England June 24, 1910.

Northwest Abiather Newton D1C 42, Twp. 12-5

Reestablishment by W. C. Galloway

Set concrete post 3 1/2" x 5" x 18"

Witnesses J. A. Gamong and Milton Wyatt

July 11, 1910

1251

BENTON COUNTY SURVEYORS OFFICE - CORNER RESTORATION

03147

FRED LEMKE L.S. 443

T. 12 S. R. 5 W. W. B. & M., BENTON COUNTY, OREGON

REPORTED BY MIKE LEMKE L.S. 1824

DLC SECTION 42

The information shown hereon was taken from the referenced county survey. Date: 7/31/90

TITLE

DATE 3-21-1983



● OFFICIAL CORNER FOUND

○ CORNER SET

LEGIBLE MARKS ON BEARING OBJECTS

KIND

SIZE

BEARING

DISTANCE

BT TAG POSTED

NW CORNER COMMON TO SEC. DLC 42
IS 1" I.D. IRON PIPE

DESCRIBE

ADDITIONAL INFORMATION

SEE C.S. 7512

OVER

CORNER HISTORY		T 12 S, R 5 W		SECTION 6 D.L.C. ABIATHER NEWTON NO. 42		CORNER CORNER NW		#842060
NO.	DATE	SOURCE	SURVEYOR	MONUMENTS AND ACCESSORIES		COMMENTS		
①	9/27/1856	ORIG. GLO	DENNIS HATHORN	SET POST DEPOSITED A BOULDER 1x7 + DUG TRENCH				1
								2
②	NONE GIVEN	CS #171 NOTES	W.C. GALLOWAY	SPIKING N OF SET COR.		FB 5/43		3
								4
③	"	CS #171 MAP	" "	CONCRETE POST		BOOK OF PLATS #3 PL. 59		5
								6
④	7/11/1910	OLD COR. REST. BK #1, PL. B	" "	SET CONCRETE POST				7
								8
⑤	"	REST. 1251	" "	" " "				9
								10
⑥	3/16/1922	MAP NO. 11-5-00029	" "	CEMENT POST 3"x?"				11
								12
⑦	NONE GIVEN	MAP NO. 12-5-00023	BEN. CO. SURV. OFF.	CONCRETE POST				13
								14
⑧	11/5/1928	CS # 1082	W.C. GALLOWAY	NO MON. DESC.		FB 30/8		15
								16
⑨	6/5/1967	ROSELWOOD EST. SUBD.	B. OSBURN SHAW	FND. CONCL. POST SET 1" PIPE				17
								18
⑩	8/5/1970	CS # 4933	FRED LEMKE	FND. 1" PIPE				19
								20
⑪	3/21/1983	CS # 7512	MICHAEL LEMKE	FND. ? 1" IRON PIPE				21
								22
⑫	"	REST. 3147	FRED + MIKE LEMKE	FND. 1" 10. IRON PIPE		TRANS. FROM ...		23
								24
⑬	5/1/1984	CS # 7638	MICHAEL LEMKE	" " IRON PIPE				25
								26
⑭	3/25/1989	CS # 8274	DANNA INGRAM FEHRENBALHER	" " " "				27
								28
⑮	6/8/1989	REST. 3602	" "	" " " " + CONCL. POST SET BC + 2 ACES.				29
								30
⑯	10/29/1991	P.P. 92-1	DARAYL HARMS	FND. 3 1/4" B.C.				31

L-8
125T
3147
3602

BENTON COUNTY CORNER RESTORATION FORM

3602

SECTION 6 TOWNSHIP 12 S RANGE 5 W DLC A NEWTON NO. 42 CORNER NW
 DATE 6/8/89 CORNER RESTORATION FIELD BOOK NUMBER 4 PAGE 25-26

CORNER DESIGNATION:

THE NORTHWEST CORNER OF ABIATHER
 NEWTON DLC NO. 42.



- CONDITION REPORT ONLY
- REFERENCED OUT
- RENEWED
- SURVEYED IN

LOCATION AND COMMENTS:

THE CORNER IS ON THE EAST LINE OF LOT 5, BLOCK 5 ROSEWOOD ESTATES, AND AT THE INTERSECTION OF A WIRE FENCE RUNNING NORTH, SOUTH AND EAST.

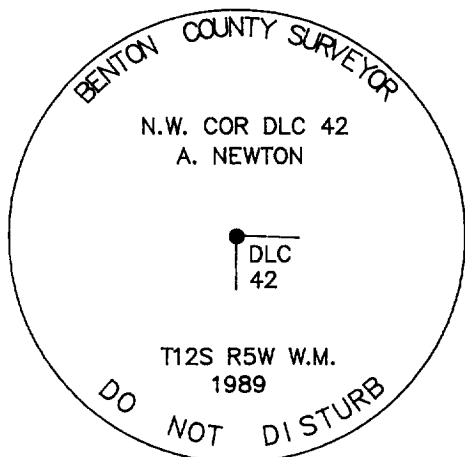
PREVIOUS RENEWALS/SURVEYS, ETC:

CORNER RESTORATION NO. 1252 BY W. C. GALLOWAY IN 1910.
 ROSEWOOD ESTATES DUBDIVISION BY B. OSBURN SHAW IN 1967.
 COUNTY SURVEY NO. 4933 BY FRED LEMKE IN 1970.
 COUNTY SURVEY NO. 7512 BY MICHAEL LEMKE IN 1983.

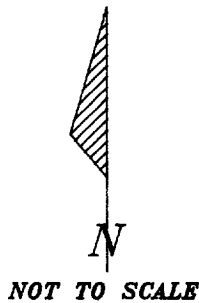
MONUMENTS AND ACCESSORIES FOUND (CONDITION AND SOURCE):

- FOUND: 1" INSIDE DIAMETER IRON PIPE FOR THE CORNER AT THE CORNER OF A WIRE FENCE (ROSEWOOD ESTATES SUBDIVISION).
- FOUND: REMAINS OF A 4" IN DIAMETER X 10" LONG CONCRETE POST 1.2 FEET WEST-SOUTHWEST OF IRON PIPE (CORNER RESTORATION NO. 1251).
- NO OTHER RECORD BEARING OBJECTS WERE RECOVERED.

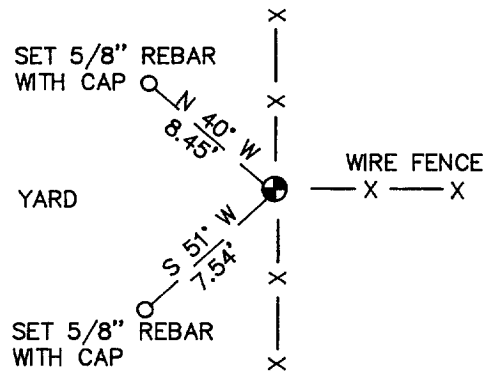
MONUMENT DETAIL



3 1/4" BRASS CAP



SKETCH



MONUMENT SET (PROCEDURES AND DESCRIPTION):

SET: A 2" INSIDE DIAMETER X 36" LONG IRON PIPE WITH A 3 1/4" BENTON COUNTY BRASS CAP, STAMPED AS SHOWN, OVER THE CENTER OF THE RECOVERED IRON PIPE. BURIED REMAINS OF THE CONCRETE POST ALONGSIDE.

NEW ACCESSORIES :

- SET: 5/8" X 30" REBAR WITH A YELLOW PLASTIC CAP MARKED "BENTON COUNTY SURVEYOR" 10" BELOW SURFACE, BEARS S 51° W 7.54 FEET.
- SET: 5/8" X 30" REBAR WITH A YELLOW PLASTIC CAP MARKED "BENTON COUNTY SURVEYOR" 9" BELOW SURFACE, BEARS N 40° W 8.45 FEET.
- SET: AN ORANGE CARSONITE "SURVEY MARKER" POST 1 FOOT WESTERLY.

NOTES:

B.C.B.W. IS A BRASS WASHER STAMPED "BENTON COUNTY SURVEYOR". COMPASS DECLINATION IS 20° EAST. ALL MEASURED DISTANCES AND COMPASS BEARINGS ARE TO THE CENTER OF THE OBJECT, UNLESS OTHERWISE NOTED.

FIRM/AGENCY: BENTON COUNTY PUBLIC WORKS
 ADDRESS: 360 S.W. AVERY AVE. CORVALLIS OR. 97333; PH. 757-6821
 PARTY CHIEF: CURTIS J. LIESENFELT
 CREW: MARY BARRON
 WITNESS:

REGISTERED
 PROFESSIONAL
 LAND SURVEYOR

Danna L. Ingram-Fehrenbacher

OREGON
 JULY 16, 1982
 DANNA L. INGRAM-FEHRNBACHER
 1995

TOWNSHIP 12 SOUTH, RANGE 5 WEST, WILLAMETTE MERIDIAN; SECTION 06 CORNER
DONATION LAND CLAIM ABIATHER NEWTON NO. 42 CORNER NW

COMMON CORNER(S):

UPDATES AND REVISIONS:

CORNER RECORDS (PREVIOUS RENEWALS, SURVEYS, ETC.)

- [01] ORIGINAL GLO SURVEY BY DENNIS HATHORN DATED AUGUST 27, 1856.
- [02] COUNTY SURVEY #171 NOTES BY W.C. GALLOWAY (NO DATE GIVEN) (FIELD BOOK NO. 5 PAGE 43).
- [03] COUNTY SURVEY NO. 171 MAP BY W.C. GALLOWAY (NO DATE GIVEN), (BOOK OF PLATS #3, PAGE 59).
- [04] OLD CORNER RESTORATION BOOK NO. 1, PAGE 8 BY W.C. GALLOWAY DATED JULY 11, 1910.
- [05] CORNER RESTORATION NO. 1251 BY W.C. GALLOWAY DATED JULY 11, 1910.
- [06] MAP NO. 11-5-00029 BY W.C. GALLOWAY DATED MARCH 16, 1922.
- [07] MAP NO. 12-5-00023 BY BENTON COUNTY SURVEYOR'S OFFICE (NO DATE GIVEN).
- [08] COUNTY SURVEY NO. 1082 BY W.C. GALLOWAY DATED NOVEMBER 5, 1928 (FIELD BOOK NO. 38, PAGE 8).
- [09] ROSEWOOD ESTATES SUBDIVISION BY B. OSBURN SHAW DATED JUNE 5, 1967.
- [10] COUNTY SURVEY NO. 4933 BY FRED LEMKE DATED AUGUST 5, 1970.
- [11] COUNTY SURVEY NO. 7512 BY MICHAEL LEMKE DATED MARCH 21, 1983.
- [12] CORNER RESTORATION NO. 3147 BY FRED AND MIKE LEMKE DATED MARCH 21, 1983.
- [13] COUNTY SURVEY NO. 7638 BY MICHAEL LEMKE DATED MAY 1, 1984.
- [14] COUNTY SURVEY NO. 8274 BY DANNA INGRAM FEHRENBACHER DATED MARCH 25, 1989.
- [15] CORNER RESTORATION NO. 3602 BY DANNA INGRAM FEHRENBACHER DATED JUNE 8, 1989.
- [16] PARTITION PLAT NO. 92-01 BY DARRYL HARMS DATED OCTOBER 29, 1991.

COMMENTS/LOCATION/ETC:

THE SURVEYOR OF RECORD [01] MEASURED DISTANCES TO THE FACE OF BEARING TREES.

RECORD [05] IS A TRANSCRIBED COPY OF RECORD [04] AND MAY CONTAIN ERRORS AND OMISSIONS.

RECORD [12] IS A TRANSCRIBED COPY OF RECORD [11] AND MAY CONTAIN ERRORS AND OMISSIONS.

SEE RECORD [14] FOR GEODETIC VALUES.

NOTES:

THIS IS A MICROSOFT WORD (VERSION 5.0) DOCUMENT NAMED "25842060" CREATED FROM A BOILER PLATE DOCUMENT NAMED "HISTORY", WHICH HAS A STYLESHEET NAMED "CORNER" ATTACHED TO IT.

FIRM/AGENCY: BENTON COUNTY SURVEYOR'S OFFICE

ADDRESS: 360 S.W. AVERY AVE. CORVALLIS OR 97333; PH. 757-6821

RESEARCH BY: CURTIS J. LIESENFELT/MARK E. ANDERSON

DATA ENTRY BY: ROSE LINDGREN