

C.S. 265
W.C. Galloway

Adrian Seits

Dec. 7, 1939

S.W. Corner of James W. Vanderpool D.L.C. No. 45 - T.11 S. R. 7 W.

Found Stone marked Cl. 45 - 11 S 7 W set stone West side (against) iron

Set 1" x 1/2" x 42" Stretcher Bar (Team Hitch) for corner from which

Fir 25" in dia. bears N. 33° 20' E. 25.61' = 0.388 chs. dist. spike in S.E. face

Fir 19" " " " N. 87° 30' E. 27.4' = 0.415 " " File N.

Some as above 1/4 sec. cor. between sections 14 & 15 - T.11 S. R. 7 W.

Set a 3/4" Galv. Pipe 20" long for corner from which

Fir 40" in dia. bears S. 25° E. 2.12 chs. dist.

Fir 3" " " " N. 44° 20' E. 0.154 " " not marked

" 4 " " " S. 63° 45' E. 0.129 " "

Dogwood 10 " " " S. 25° E. 0.352 " "

C.S. # 124

W.C. Galloway

Adrian Seits

May 24, 1940

N.W. Corner of A.G. Hovey D.L.C. No. 43 - T.12 S. R. 5 W.

Set 3/4" Pipe for corner from which

An Oak 12" in dia. bears N. 56° W. 0.59 chs. dist. std.

" " 7" " " S. 54° 30' E. 0.570 " "

" " 3" " " S. 64° 40' W. 0.708 " "

W.C. Galloway

Adrian Seits

Jan., 1940

Corner of sections 3, 4, 9 & 10 - T.12 S. R. 7 W.

C.S. No. 360 cont. Set a 3/4" Galv. pipe for sec. cor. from which

A Fir 50" in dia. bears N. 45° E. 0.66 chs. dist. std

An Alder 8" " " " S. 5° E. 0.98 " " stump

A Fir 50" " " " S. 75° W. 0.30 " " " 8' high

A Fir 38" " " " N. 35° W. 0.48 " " std.

A Cedar 8" " " " S. 80° E. 0.015 " "

A Fir 16" " " " N. 65° E. 0.045 " "

A Hemlock 14" " " " N. 25° W. 0.157 " "

A Cedar 5" " " " S. 28° 08' W. 0.315 " "

Same as above The 1/4 sec. cor. between sec. 4 & 5 - T.12 S. R. 7 W.

Set a 1/2" pipe for 1/4 sec. cor. from which

A Fir 1" in dia. bears S. 80° 45' E. 0.254 chs. dist. Tree not marked

An Alder 8" " " " S. 11° E. 0.133 " "

" Elder 11" " " " N. 65° W. 0.102 " "

A Fir 5" " " " N. 27° W. 0.373 " "

Note - This 1/4 sec. Cor. set on True Line Proportionally dist. bet. Sec. Cors.

C.S. 79

By F.M. Wilkes

Sept. 16, 1913

R.M. Conner

Found in 1940

by W.C. Galloway

Adrian Seits

Referenced to

Rock.

N.E. Corner of Mark Cahoon Cl. 58 T.10 S. R. 4 W.

1/2" pipe in road

Stone 24" x 24" x 24" S. 3° W. .270 cen. of top

N. W. corner of A. G. Hovey DLC 43, Twp. 12 S., R. 5 W.

1257

Reestablishment by W. C. Galloway

May 24, 1940

Set a $\frac{3}{4}$ " pipe for corner

Oak 12" in diam bears N 56° W

Oak 7" in diam bears S 54° 30' E

Oak 3" in diam bears S 64° 40' W

.59 chains

.510 chains

.708 chains

Witness Adrian Seits

CORNER FILE TRACKING

H:\Survey\Corners\Misc\Filetrac.doc

11/23/98

| |
|----------------------|
| CORNER NUMBER |
| 125843040 |

| STEP | HISTORY(2) | RESTORATION(3) |
|---------------------------|------------|----------------|
| Form Prepared, DB | 7/30/99 | 7/30/99 |
| Field Inspection, DB | N/A | 7/20/99 |
| Form Checked, DB | 8/3/99 | 8/3/99 |
| Form Edited, DB | 9/29/99 | 9/29/99 |
| Form Signed, DB | — | 12/16/99 |
| Authorize Payment, DB | — | — |
| Archive Digital Files | 12/29/99 | 12/29/99 |
| Collect Documents | " | " |
| Scanned | 1/25/00 | 1/25/00 |
| Copy For Filming | 12/29/99 | 12/29/99 |
| Filed, DB | | |
| Finish index (count unit) | | |
| Filmed (Archived), DB | | |

(DB) = Entry needed in database (Access).

COMMENTS:

~~Ready for final copies 8/3/99.~~

1/18/00 4 PAGES NEEDED TO BE SCANNED INTO EXISTING FILE. THE HAND
DRAFTED CORNER HISTORY WILL OVERWRITE THE OLD ONE.

| CORNER HISTORY | | T 12 S, R 5 W | | SECTION 5 D.L.C. A.G. HOVEY NO. 43 | | CORNER CORNER NW | | # |
|----------------|------------|---------------------------------|---------------------------|---|--|---------------------|--------------------|----------|
| | | | | | | | | 25043040 |
| NO. | DATE | SOURCE | SURVEYOR | MONUMENTS AND ACCESSORIES | | COMMENTS | TOTAL # OF OBJECTS | |
| ① | 8/27/1856 | DRIG. G.L.O. | DENNIS HATHORN | POST @ 3 OAK B.T.'S | | FACE MEAS. | 4 * | |
| | | | | | | | 2 | |
| ② | 5/24/1940 | CS # 1476 | W. C. GALLOWAY | FND. NW BT SET 3/4" PIPE 2 NEW OAKS | | FB 63 / 101, 102 | 7 8 | |
| | | | | | | | 4 | |
| ③ | " " " | OLD COR. REST. BL. #1 P. 227 | " " | " " " " " " " " " " " " | | PIA. OMISSION | 5 | |
| | | | | | | | 6 | |
| ④ | " " " | REST. 1257 | " " | SET 3/4" PIPE @ 3 OAK B.T.'S | | TRANS COPY OF 3 | 7 | |
| | | | | | | | 8 | |
| ⑤ | NONE GIVEN | MAP NO. 12-S-00023 | BEN. CO. SURVEYORS OFFICE | 3/4" PIPE | | | 9 | |
| | | | | | | | 10 | |
| ⑥ | 2/24/1948 | CS # 1997 | OTTO H. MEYER (E) | " P | | | 11 | |
| | | | | | | | 12 | |
| ⑦ | 3/2/1950 | CS # 2176 | " " " | " " | | | 13 | |
| | | | | | | | 14 | |
| ⑧ | 4/2/1954 | CS # 2582 | CURTIS C. HANSON | FND. 3/4" PIPE | | | 15 | |
| ⑨ | 3/1958 | Co. RD. NO. 25320 | " " " | NO M-H. OFSC. STA. 31+37.63 | | RTE 32-B MAP | 16 | |
| ⑩ | 5/12/1958 | CS # 3047 | FRED LEMKE | 3/4" PIPE | | | 17 | |
| | | | | | | | 18 | |
| ⑪ | 5/8/1962 | CS # 3643 | " " | FND. SPIKE | | | 19 | |
| | | | | | | | 20 | |
| ⑫ | 4/2/1964 | CS # 3916 | " " | " " | | | 21 | |
| | | | | | | | 22 | |
| ⑬ | 5/26/1965 | CS # 4124 | " " | " " | | | 23 | |
| | | | | | | | 24 | |
| ⑭ | 10/2/1975 | CS # 5996 | " " | SET RR SPK. FAN 1/2" PIPES 30' N+S | | | 11-25 | |
| | | | | | | | 26 | |
| ⑮ | 3/21/1983 | CS # 7512 | " " | RR SPK + 1/2" PIPES 30' N+S | | | 27 | |
| | | | | | | | 28 | |
| ⑯ | " | REST. 3151 | " " | RR SPK " " " " " " | | TRANS. FROM 15 | 29 | |
| | | | | | | | 30 | |
| 17 | 8/19/1983 | REST. NO. 125843040R2 | CURTIS J. LIESENFELT | FND. RR SPK SET 3/4" BRASS DISC @ 2 NEW ACES. | | | 14-31 | |
| 18 | 7/2/1997 | CS # 9210 | GARY PAUL | " 3" BRASS DISC | | | | |
| 19 | 2/23/1999 | GRAND OAKS SUB. M.T. SUBD. | " " | " " " " " " | | | | |

8842
18-58
6.05.
6.05-2

BENTON COUNTY SURVEYORS OFFICE - CORNER RESTORATION

03151

T. 12 S, R. 5 W, W. B. & M., BENTON COUNTY, OREGON

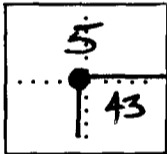
REPORTED BY FRED LEAKE

DLC SECTION 43

TITLE L.S. 443

The information shown hereon was taken from the referenced county survey. Date: 7/31/90

DATE 3-21-1983



● OFFICIAL CORNER FOUND

○ CORNER SET

NW CORNER COMMON TO SEC. DLC 43
IS RAILROAD SPIKE SET OVER 3/4" I.D. PIPE

DESCRIBE

ADDITIONAL INFORMATION

SPIKE ORIGINALLY SET OVER 3/4" I.D. PIPE IN 1962.

SEE C.S. 7512

OVER

LEGIBLE MARKS ON BEARING OBJECTS

| | | | |
|---------------|-----------|-----------|--|
| | | | |
| KIND | PIPE | PIPE | |
| SIZE | 1/2" I.D. | 1/2" I.D. | |
| BEARING | NORTH | SOUTH | |
| DISTANCE | 30' | 30' | |
| BT TAG POSTED | | | |

TOWNSHIP 12 SOUTH, RANGE 5 WEST, WILLAMETTE MERIDIAN; SECTION 05 CORNER

DONATION LAND CLAIM A.G. HOVEY NO. 43

CORNER NW

COMMON CORNER(S):

THE SOUTH LINE OF THE JOHN L. TRAPP DLC NO. 38.

UPDATES AND REVISIONS:**CORNER RECORDS (PREVIOUS RENEWALS, SURVEYS, ETC.)**

- [01] ORIGINAL GLO SURVEY BY DENNIS HATHORN DATED AUGUST 27, 1856.
- [02] COUNTY SURVEY NO. 1476 BY W.C. GALLOWAY DATED MAY 24, 1940 (FIELD BOOK NO. 63, PAGES 101 AND 102).
- [03] OLD CORNER RESTORATION BOOK NO. 1 PAGE 227 BY W.C. GALLOWAY DATED MAY 24, 1940.
- [04] CORNER RESTORATION NO. 1257 BY W.C. GALLOWAY DATED MAY 24, 1940.
- [05] MAP NO. 12-5-00023 BY BENTON COUNTY SURVEYOR'S OFFICE (NO DATE GIVEN).
- [06] COUNTY SURVEY NO. 1997 BY OTTO H. MEYER DATED FEBRUARY 24, 1948.
- [07] COUNTY SURVEY NO. 2176 BY OTTO H. MEYER DATED MARCH 2, 1950.
- [08] COUNTY SURVEY NO. 2562 BY CURTIS C. HANSON DATED APRIL 21, 1954.
- [09] COUNTY ROAD NO. 25320 BY CURTIS C. HANSON DATED MARCH OF 1958.
- [10] COUNTY SURVEY NO. 3047 BY FRED LEMKE DATED MAY 12, 1958.
- [11] COUNTY SURVEY NO. 3643 BY FRED LEMKE DATED MAY 8, 1962.
- [12] COUNTY SURVEY NO. 3916 BY FRED LEMKE DATED APRIL 2, 1964.
- [13] COUNTY SURVEY NO. 4124 BY FRED LEMKE DATED MAY 26, 1965.
- [14] COUNTY SURVEY NO. 5996 BY FRED LEMKE DATED OCTOBER 2, 1975.
- [15] COUNTY SURVEY NO. 7512 BY FRED LEMKE DATED MARCH 21, 1983.
- [16] CORNER RESTORATION NO. 3151 BY FRED LEMKE DATED MARCH 21, 1983.

COMMENTS/LOCATION/ETC:

RECORD [04] IS A TRANSCRIBED COPY OF RECORD [03] AND MAY CONTAIN ERRORS AND OMISSIONS
RECORD [16] IS TRANSCRIBED FROM RECORD [15] AND MAY CONTAIN ERRORS AND OMISSIONS

NOTES:

THIS IS A MICROSOFT WORD (VERSION 5.0) DOCUMENT NAMED "25843040" CREATED FROM A BOILER PLATE DOCUMENT NAMED "HISTORY", WHICH HAS A STYLESHEET NAMED "CORNER" ATTACHED TO IT.

FIRM/AGENCY: BENTON COUNTY SURVEYOR'S OFFICE**ADDRESS:** 360 S.W. AVERY AVE. CORVALLIS OR 97333; PH. 757-6821**RESEARCH BY:** CURTIS J. LIESENFELT/MARK E. ANDERSON**DATA ENTRY BY:** COLETTE MONACO

BENTON COUNTY CORNER RESTORATION FORM, PAGE 1 OF 1, 125843040R2

SEE CORNER HISTORY FORM FOR RECORDS ETC.

CORNER RESTORATION FIELD BOOK NUMBER 14 PAGE(S) 39 DATE 8/19/1993
 TOWNSHIP 12 SOUTH, RANGE 5 WEST, WILLAMETTE MERIDIAN; SECTION 05 CORNER
 DONATION LAND CLAIM A.G. HOVEY NO. 43 CORNER NW
 CONDITION REPORT ; REFERENCED OUT ; RENEWED XX; SURVEYED IN

LOCATION AND COMMENTS:

THE CORNER IS LOCATED IN THE PHYSICAL CENTERLINE OF SW WEST HILLS ROAD (COUNTY ROAD NO. 25320) APPROXIMATELY 65 FEET EASTERLY FROM THE CENTERLINE OF THE GRAVEL DRIVEWAY TO THE RESIDENCE AT 6360 SW WEST HILLS ROAD. IT IS SUITABLE FOR PREMARKING AND G.P.S. CONTROL.

MONUMENTS AND ACCESSORIES FOUND (CONDITION AND SOURCE):

- FOUND: RAILROAD SPIKE FOR THE CORNER AS PER RECORD [14]. FOUND A BENT 8" SPIKE LYING HORIZONTALLY, 3" BELOW AND NEAR SAID RAILROAD SPIKE.
- FOUND: 1/2" INSIDE DIAMETER IRON PIPE, 10" BELOW GROUND SURFACE, BEARS N 1° 27' 55" E 29.86 FEET (STATION 31+37.63 30 FEET LEFT AS PER RECORD [09]; 1/2" PIPE 30 FEET NORTH AS PER RECORD [14]).
- FOUND: 3 1/4" BENTON COUNTY BRASS CAP AT THE SOUTHWEST CORNER OF THE JOHN TRAPP DLC NO. 38 AS PER CORNER RESTORATION NO. 125838030, BEARS N 88° 26' 40" W 1070.68 FEET (S 89° 48' 30" W 1075.87 FEET AS PER RECORD [05]; S 89° 53' 55" 1070.77 FEET AS PER RECORD [15]).

NO OTHER RECORD EVIDENCE WAS RECOVERED.

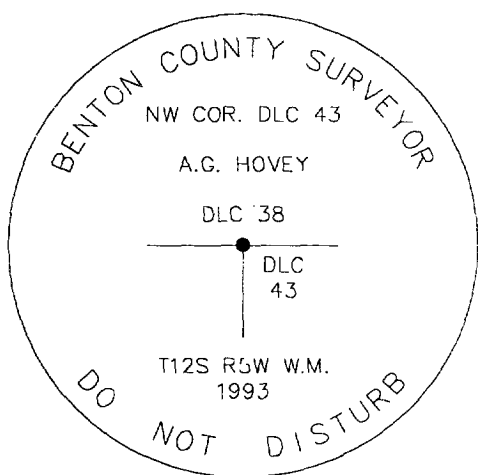
MONUMENT SET (PROCEDURES AND DESCRIPTION):

SET: 2" INSIDE DIAMETER X 36" LONG IRON PIPE WITH A 3 1/4" BENTON COUNTY BRASS CAP, STAMPED AS SHOWN, IN THE SAME COORDINATE POSITION AS THE RECOVERED RAILROAD SPIKE. PLACED SAID RAILROAD SPIKE, THE BENT 8" SPIKE INSIDE THE NEW PIPE. SET A BOTTOM FLANGE TYPE MONUMENT BOX OVER THE NEW BRASS CAP.

NEW ACCESSORIES:

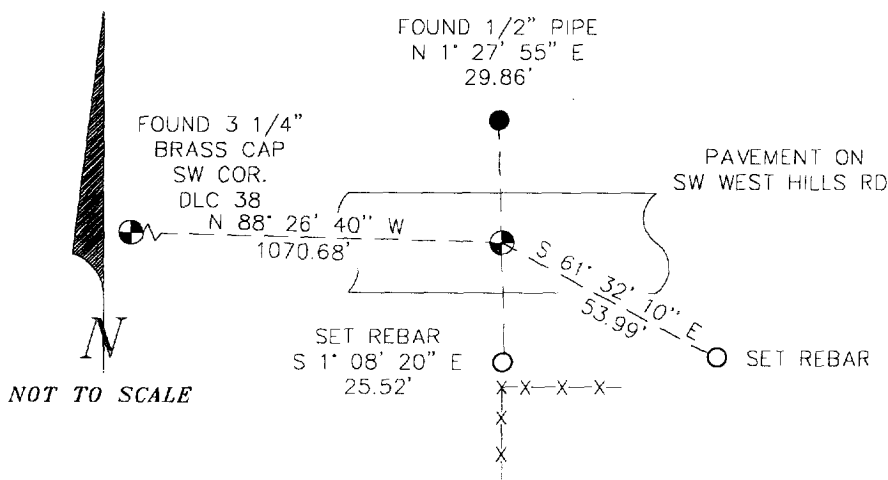
- SET: REBAR (SEE NOTES) 5" BELOW GROUND SURFACE, BEARS S 1° 08' 20" E 25.52 FEET. SAID REBAR IS 4.5 FEET NORTHERLY FROM A SOUTH AND EAST FENCE CORNER POST.
- SET: REBAR (SEE NOTES) 4" BELOW GROUND SURFACE, BEARS S 61° 32' 10" E 53.99 FEET. SAID REBAR IS 4 FEET NORTHERLY AT RIGHT ANGLES TO A WOVEN AND BARBED WIRE FENCE.

MONUMENT DETAIL



3 1/4" BRASS CAP

SKETCH



NOTES:

COMPASS DECLINATION IS 20° EAST. ALL MEASURED DISTANCES AND COMPASS BEARINGS ARE TO THE CENTER OF THE OBJECT, UNLESS OTHERWISE NOTED. ALL BEARING TREES ARE PAINTED AND HAVE A B.T. TAG ATTACHED, FACING THE CORNER UNLESS OTHERWISE NOTED. ALL NEW BEARING TREES HAVE A BRASS WASHER (STAMPED "BENTON COUNTY SURVEYOR") ATTACHED TO A SIDE CENTER UNLESS OTHERWISE NOTED. ALL LIVE BEARING TREES HAVE A PLASTIC WASHER (STAMPED "BENTON COUNTY SURVEYOR CORNER RESTORATION") ATTACHED TO THE BACK OF THE TREE OPPOSITE THE CORNER UNLESS OTHERWISE NOTED. ALL SET REBAR ARE 5/8" X 30" AND HAVE A YELLOW PLASTIC CAP (STAMPED "BENTON COUNTY SURVEYOR") ATTACHED TO THE TOP.

THIS DOCUMENT WAS NAMED AND CREATED IN A MANNER SIMILAR TO THE HISTORY FORM. THE NAME OF THE BOILER PLATE IS "MONUMENT". THE BORDER, STAMP AND SKETCH ARE FROM AUTOCAD RELEASE 12.

THIS RESTORATION WAS PERFORMED AT THE DIRECTION AND APPROVAL OF THE BENTON COUNTY/DEPUTY COUNTY SURVEYOR. *RW*

FIRM/AGENCY: BENTON COUNTY SURVEYOR'S OFFICE
ADDRESS: 360 S.W. AVERY AVE. CORVALLIS OR 97333; PH. 757-6821
SURVEYOR: CURTIS J. LIESENFELT
SURVEY CREW: MARK E. ANDERSON

REGISTERED
 PROFESSIONAL
 LAND SURVEYOR

Curtis J. Liesenfelt

OREGON
 JULY 17, 1986
 CURTIS J. LIESENFELT
 2213

LICENSE EXPIRES 12/31/1994

SEE CORNER HISTORY FORM FOR RECORDS ETC.

CORNER RESTORATION FIELD BOOK NUMBER 18 PAGE(S) 10 DATE 07/20/1999
 TOWNSHIP 12 SOUTH, RANGE 5 WEST, WILLAMETTE MERIDIAN; SECTION 5 CORNER _____
 DONATION LAND CLAIM A. G. HOVEY NO. 43 CORNER NW
 CONDITION REPORT _____; REFERENCED OUT _____; RENEWED XX; SURVEYED IN _____

LOCATION AND COMMENTS:

CORNER IS LOCATED IN THE EAST BOUND LANE OF SW WEST HILLS ROAD, 12.5 FEET NORTH OF THE SOUTHERLY CURB. CORNER IS GOOD FOR PREMARKING AND G.P.S. CONTROL.

MONUMENTS AND ACCESSORIES FOUND (CONDITION AND SOURCE):

- FOUND: 3 1/4" BRASS DISK CONCRETED IN A 2" INSIDE DIAMETER IRON PIPE, 3" DEEP IN MONUMENT BOX FOR THE CORNER AS SET PER RECORD [16].
- FOUND: 5/8" REBAR WITH YELLOW PLASTIC CAP (YPC) MARKED "BENTON COUNTY SURVEYOR", 3" BELOW GROUND SURFACE, (BGS) BEARING S61°12'16"E, 53.94 FEET COMPARED TO RECORD [16] OF S61°32'10"E, 53.99 FEET.
- FOUND: 5/8" REBAR WITH YPC MARKED "BENTON COUNTY SURVEYOR", 3" BGS, BEARING S0°42'E, 25.53 FEET COMPARED TO RECORD [16] OF S1°08'20"E, 25.52 FEET.

MONUMENT SET (PROCEDURES AND DESCRIPTION):

SET: 2" INSIDE DIAMETER X 36" GALVANIZED IRON PIPE WITH 3 1/4" BRASS DISK CONCRETED IN THE TOP, 3" DEEP IN MONUMENT BOX, MARKED AS SHOWN, IN SW WEST HILLS ROAD.

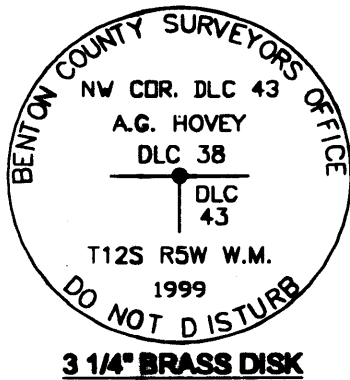
THIS CORNER WAS REFERENCED BY OTAK INC. DURING CONSTRUCTION OF GRAND OAKS SUMMIT SUBDIVISION. AFTER RECONSTRUCTION OF SW WEST HILLS ROAD, THE CORNER WAS REMONUMENTED AND REFERENCED BY OTAK INC. BENTON COUNTY SURVEYOR'S OFFICE REVIEWED THE REMONUMENTED CORNER AND CHECKED THE REFERENCES SET OR TIED BY OTAK INC. REFERENCES FROM THE PREVIOUS RESTORATION WERE RECOVERED BY BENTON COUNTY, RETIED AND ADDED TO THE LIST OF ACCESSORIES. THE BASIS OF BEARINGS FOR THIS RESTORATION IS OTAK INC. CONTROL POINTS SET IN THE PROCESS OF COMPLETING COUNTY SURVEY NO. 9210.

SKETCH

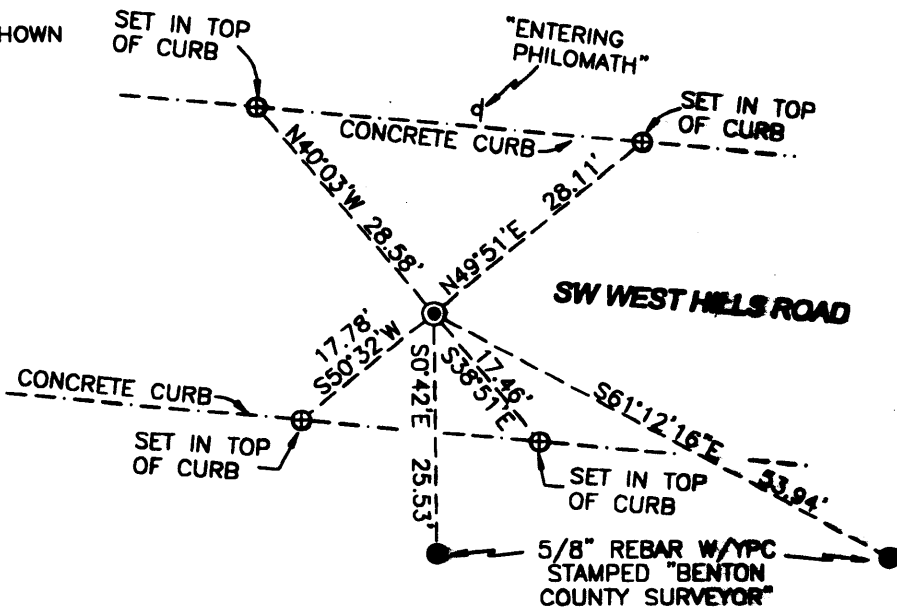
LEGEND

- SET 5/8" X 30" REBAR WITH RED PLASTIC CAP MKD "OTAK CONTROL"
- ⊕ SET BRASS SCREW WITH 3/4" BRASS WASHER
- FOUND MONUMENT AS NOTED
- ⊙ GOVERNMENT MONUMENT SET AS SHOWN
- ⊠ SIGN AS NOTED

MONUMENT DETAIL



3 1/4" BRASS DISK



NEW ACCESSORIES:

- SET: BRASS SCREW WITH BRASS WASHER IN TOP OF CONCRETE CURB, BEARING N40°03'W, 28.58 FEET.
- SET: BRASS SCREW WITH BRASS WASHER IN TOP OF CONCRETE CURB, BEARING N49°51'E, 28.11 FEET.
- SET: BRASS SCREW WITH BRASS WASHER IN TOP OF CONCRETE CURB, BEARING S38°51'E, 17.46 FEET.
- SET: BRASS SCREW WITH BRASS WASHER IN TOP OF CONCRETE CURB, BEARING S50°32'W, 17.78 FEET.

NOTES:

COMPASS DECLINATION IS 20° EAST. ALL MEASURED DISTANCES AND BEARINGS ARE TO THE CENTER OF THE OBJECT, UNLESS OTHERWISE NOTED. ALL SET REBAR ARE 5/8" X 30" AND HAVE A YELLOW PLASTIC CAP (STAMPED "BENTON COUNTY SURVEYOR") ATTACHED TO THE TOP.

THIS DOCUMENT WAS NAMED AND CREATED IN A MANNER SIMILAR TO THE HISTORY FORM. THE NAME OF THE BOILER PLATE IS "MONUMENT". THE BORDER, STAMP AND SKETCH ARE FROM AUTOCAD RELEASE 14.

FIRM/AGENCY: OTAK INCORPORATED
ADDRESS: 17355 SW BOONES FERRY RD. LAKE OSWEGO, OR 97035
SURVEYOR: GARY E. PAUL, P.L.S.
SURVEY CREW: M. DUNN AND B. CAMPBELL, SURVEY TECHNICIANS

REGISTERED
 PROFESSIONAL
 LAND SURVEYOR

Gary E. Paul

OREGON
 JANUARY 17, 1995
 GARY E. PAUL

EXPIRES: 12/31/00

DATE 8/19/1999TOWNSHIP 12 SOUTH, RANGE 5 WEST, WILLAMETTE MERIDIAN; SECTION 05 CORNER _____
DONATION LAND CLAIM A.G. HOVEY NO. 43 CORNER NW**COMMON CORNER(S):**

THE SOUTH LINE OF THE JOHN L. TRAPP DLC NO. 38

CORNER RECORDS (PREVIOUS RENEWALS, SURVEYS, ETC.)

- [01] ORIGINAL GLO SURVEY BY DENNIS HATHORN, D.S., DATED AUGUST 27, 1856. SET POST WITH 3 OAK BEARING TREES, MEASURED TO THE FACE.
- [02] COUNTY SURVEY NO. 1476 NOTES (FIELD BOOK NO. 63, PAGES 101, 102) BY W.C. GALLOWAY, C.S., DATED MAY 24, 1940. FOUND NW BEARING TREE, SET 3/4" PIPE WITH 2 NEW OAK BEARING TREES.
- [03] OLD CORNER RESTORATION BOOK NO. 1 PAGE 227 BY W.C. GALLOWAY, C.S., DATED MAY 24, 1940. FOUND NW BEARING TREE, SET 3/4" PIPE WITH 2 NEW OAK BEARING TREES.
- [04] CORNER RESTORATION NO. 1257. TRANSCRIBED COPY OF RECORD [03] AND MAY CONTAIN ERRORS AND OMISSIONS.
- [05] MAP NO. 12-5-00023 BY BENTON COUNTY SURVEYOR'S OFFICE (NO DATE GIVEN). 3/4" PIPE.
- [06] COUNTY SURVEY NO. 1997 BY OTTO H. MEYER, P.E., DATED FEBRUARY 24, 1948. 3/4" PIPE.
- [07] COUNTY SURVEY NO. 2176 BY OTTO H. MEYER, P.E., DATED MARCH 2, 1950. 3/4" PIPE.
- [08] COUNTY SURVEY NO. 2562 BY CURTIS C. HANSON, C.S. DATED APRIL 21, 1954. FOUND 3/4" PIPE.
- [09] COUNTY ROAD NO. 25320 MAP BY CURTIS C. HANSON, C.S., DATED MARCH OF 1958. NO MONUMENT DESCRIPTION, STATION 31+37.63.
- [10] COUNTY SURVEY NO. 3047 BY FRED LEMKE, P.L.S., DATED MAY 12, 1958. 3/4" IRON PIPE.
- [11] COUNTY SURVEY NO. 3643 BY FRED LEMKE, P.L.S., DATED MAY 8, 1962. FOUND SPIKE.
- [12] COUNTY SURVEY NO. 3916 BY FRED LEMKE, P.L.S., DATED APRIL 2, 1964. FOUND SPIKE.
- [13] COUNTY SURVEY NO. 4124 BY FRED LEMKE, P.L.S., DATED MAY 26, 1965. FOUND SPIKE.
- [14] COUNTY SURVEY NO. 5996 BY FRED LEMKE, P.L.S., DATED OCTOBER 2, 1975. SET RAILROAD SPIKE FROM 1/2" PIPES 30 FEET NORTH AND SOUTH.
- [15] COUNTY SURVEY NO. 7512 BY FRED LEMKE, P.L.S., DATED MARCH 21, 1983. RAILROAD SPIKE AND 1/2" PIPES 30 FEET NORTH AND SOUTH.
- [16] CORNER RESTORATION NO. 3151. TRANSCRIBED COPY OF RECORD [15] AND MAY CONTAIN ERRORS AND OMISSIONS.
- [17] CORNER RESTORATION NO. 125843040R2 BY CURTIS J. LIESENFELT, P.L.S., (BENTON COUNTY) DATED AUGUST 19, 1993. FOUND SPIKES, SET 3 1/4" BRASS DISC WITH 2 NEW ACCESSORIES.
- [18] COUNTY SURVEY NO. 9210 BY GARY E. PAUL, P.L.S., DATED JULY 2, 1997. FOUND 3" BRASS DISK IN MONUMENT BOX PER RECORD [17].
- [19] GRAND OAKS SUMMIT SUBDIVISION BY GARY PAUL, P.L.S., DATED FEBRUARY 23, 1999. FOUND 3" BRASS DISC.

COMMENTS/LOCATION/ETC:**NOTES:**

THIS IS A MICROSOFT WORD 97 DOCUMENT NAMED "25843040" CREATED FROM A BOILER PLATE DOCUMENT NAMED "HISTORY", WHICH HAD A STYLESHEET NAMED "CORNER" ATTACHED TO IT.
INFORMATION IN *BOI D ITALICS* IS COUNTY STAFFS' INTERPRETATION OF THE RECORD.

FIRM/AGENCY: BENTON COUNTY SURVEYOR S OFFICE
ADDRESS: 300 S.W. AVERY AVE. CORVALLIS OR 97333; PH. 757-6821
RESEARCH BY: CURTIS J. LIESENFELT, P.L.S. AND DAVID M. DEAN, P.L.S.
DATA ENTRY BY: ROSE LINDGREN AND DEAN