

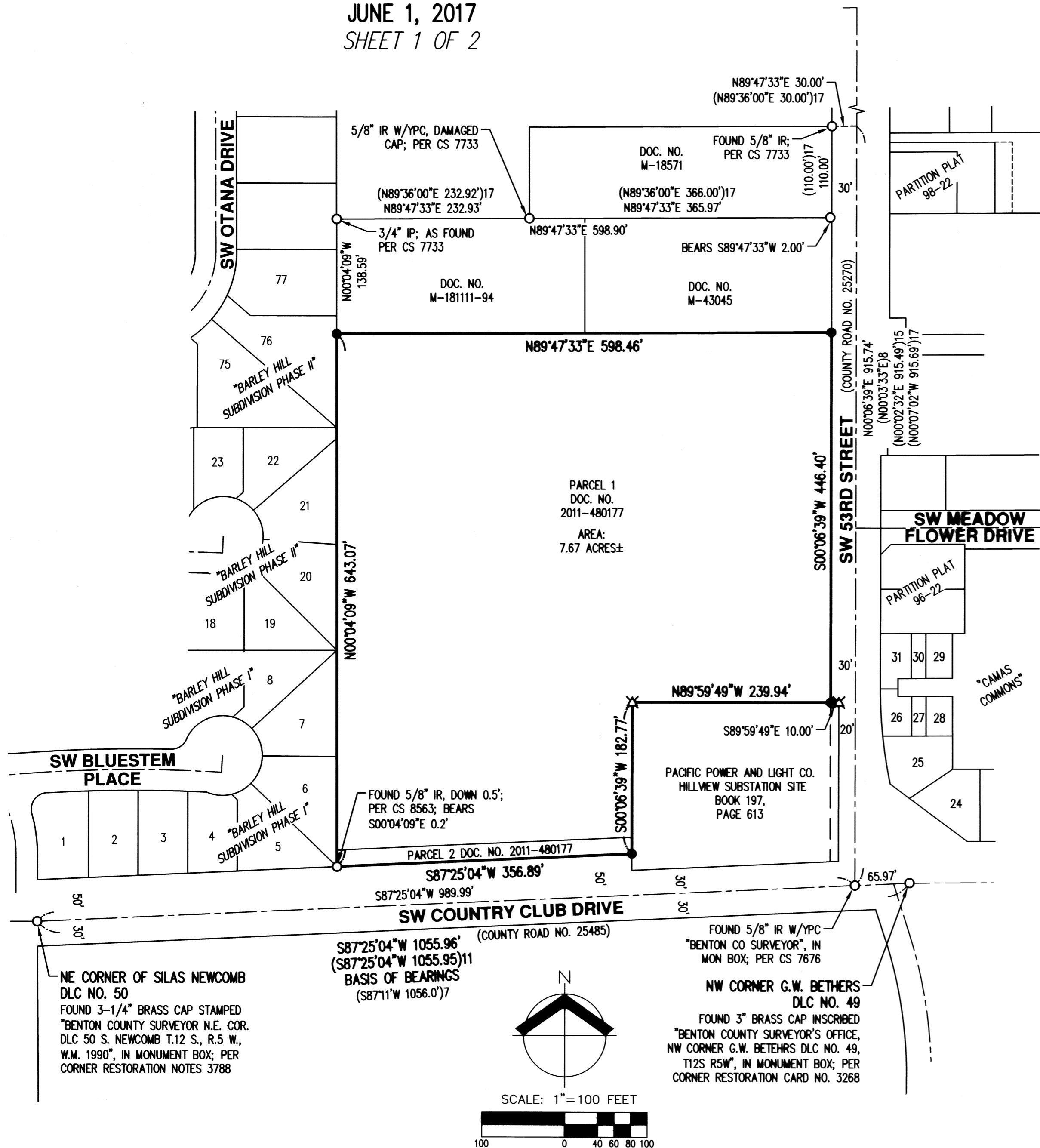
# RECORD OF SURVEY

LOCATED IN THE NORTHEAST 1/4 OF SECTION 8, TOWNSHIP 12 SOUTH,  
RANGE 5 WEST, WILLAMETTE MERIDIAN,  
CITY OF CORVALLIS, BENTON COUNTY, OREGON

JUNE 1, 2017  
SHEET 1 OF 2

**Benton County  
Surveyor's Office**

C.S. FILE NO. 10830  
FILING DATE 6-5-17  
FILE SIZE 18x24



### LEGEND

- SET 5/8" X 30" IRON ROD W/YPC INSCRIBED "AKS ENGR." ON: 06/01/2017
- FOUND 5/8" IRON ROD W/RPC INSCRIBED "DARRYL HARMS PLS 1079"; PER PLAT OF "BARLEY HILL SUBDIVISION PHASE I"; HELD UNLESS NOTED OTHERWISE
- △ FOUND 5/8" IRON ROD W/YPC INSCRIBED "BENTON COUNTY SURVEYOR"; PER CS 10265; HELD UNLESS NOTED OTHERWISE
- ⊗ FOUND 5/8" IRON ROD W/ALUMINUM CAP W/PUNCH MARK IN CENTER; PER CS 4116; HELD UNLESS NOTED OTHERWISE
- DENOTES FOUND MONUMENT AS NOTED; HELD UNLESS NOTED OTHERWISE
- DOC. NO. DOCUMENT NUMBER PER BENTON COUNTY DEED RECORDS
- IP IRON PIPE (INSIDE DIAMETER)
- IR IRON ROD
- W/RPC WITH A RED PLASTIC CAP
- W/YPC WITH A YELLOW PLASTIC CAP
- PP NO. PARTITION PLAT NUMBER PER BENTON COUNTY SURVEY RECORDS
- CS COUNTY SURVEY NUMBER PER BENTON COUNTY SURVEY RECORDS

### NARRATIVE

THE PURPOSE OF THIS SURVEY WAS TO ESTABLISH AND MONUMENT THE OUTER BOUNDARY OF THE PROPERTY DESCRIBED IN DOCUMENT NUMBER 2011-480177, BENTON COUNTY DEED RECORDS, FOR A FUTURE SUBDIVISION.

THE BASIS OF BEARINGS WAS ESTABLISHED ALONG THE CENTERLINE OF SW COUNTRY CLUB DRIVE BETWEEN THE NORTHWEST CORNER OF GEORGE W. BETHERS DONATION LAND CLAIM NO. 49 AND THE NORTHEAST CORNER OF SILAS NEWCOMB DONATION LAND CLAIM NO. 50 PER COUNTY SURVEY NUMBER 9195.

THE CENTERLINE OF SW COUNTRY CLUB DRIVE WAS ESTABLISHED BY HOLDING FOUND MONUMENTS PER BENTON COUNTY SURVEY NUMBER 9195 AT THE CENTERLINE-CENTERLINE INTERSECTION OF SW 53RD STREET AND SW COUNTRY CLUB ROAD AND THE NORTHEAST CORNER OF SILAS NEWCOMB DONATION LAND CLAIM NO. 50.

THE CENTERLINE OF SW 53RD STREET WAS ESTABLISHED BY THE FOUND MONUMENT PER COUNTY SURVEY NUMBER 7676 AT THE CENTERLINE-CENTERLINE INTERSECTION OF SW 53RD STREET AND SW COUNTRY CLUB DRIVE AND BY HOLDING A RECORD DEED DISTANCE OF 2.100 CHAINS (138.60 FEET) FROM THE INTERSECTION OF THE EASTERLY PROJECTION OF THE NORTH LINE OF SAID DEEDS AND THE CENTERLINE OF SW 53RD STREET.

THE SOUTH LINE, BEING CONTIGUOUS WITH THE NORTHERLY RIGHT-OF-WAY LINE OF SW COUNTRY CLUB DRIVE, WAS ESTABLISHED BY HOLDING A LINE PARALLEL WITH AND RECORD 50 FEET NORTHERLY OF THE SW COUNTRY CLUB ROAD CENTERLINE PER BENTON COUNTY SURVEY NUMBER 9195.

THE WEST LINE WAS ESTABLISHED BY HOLDING THE EAST-WEST POSITION OF THE FOUND PLAT MONUMENT AT THE SOUTHEAST CORNER OF LOT 5 OF "BARLEY HILL SUBDIVISION PHASE I" AND BY HOLDING THE FOUND MONUMENT PER COUNTY SURVEY NUMBER 7733 AT THE NORTHWEST CORNER OF DOCUMENT NUMBER M-18111-94. THE FOUND PLAT MONUMENTS PER THE PLATS OF "BARLEY HILL SUBDIVISION PHASE I" AND "BARLEY HILL SUBDIVISION PHASE II" WERE FOUND TO BE ON LINE.

THE NORTH LINE WAS ESTABLISHED BY HOLDING A LINE PARALLEL WITH THE NORTH LINE OF DOCUMENT NUMBER M-18111-94 AND DOCUMENT NUMBER M-43045 AND BY HOLDING A RECORD DEED DISTANCE OF 2.100 CHAINS (138.60 FEET) FROM THE INTERSECTION OF THE EASTERLY PROJECTION OF THE NORTH LINE OF SAID DEEDS AND THE CENTERLINE OF SW 53RD STREET.

THE EAST LINE WAS ESTABLISHED BY HOLDING A LINE PARALLEL WITH AND RECORD 30 FEET WESTERLY OF THE SW 53RD STREET CENTERLINE PER BENTON COUNTY SURVEY NUMBER 7733 AND DOCUMENT NUMBER M-40417-82.

THE EASTERLY SOUTH LINE, BEING CONTIGUOUS WITH THE NORTH LINE OF DEED BOOK 197 PAGE 613, WAS ESTABLISHED BY HOLDING THE FOUND MONUMENTS PER COUNTY SURVEY NUMBER 4116.

THE SOUTHERLY EAST LINE, BEING CONTIGUOUS WITH THE WEST LINE OF DEED BOOK 197 PAGE 613, WAS ESTABLISHED BY HOLDING A LINE PARALLEL WITH THE CENTERLINE OF SW 53RD STREET, AND BY HOLDING MONUMENT FOUND PER BENTON COUNTY SURVEY RECORD NUMBER 4116 AT THE NORTHWEST CORNER OF SAID DEED. THE RECORD MONUMENT PER COUNTY SURVEY NUMBER 4116 AT THE SOUTHWEST CORNER OF SAID DEED WAS FOUND DISTURB LAYING ON THE GROUND.

### REFERENCES

- ( )1 CORNER RESTORATION NOTES 3268
- ( )2 RECORD INFORMATION PER PLAT OF "BARLEY HILL SUBDIVISION PHASE I" (PLAT BOOK 9, PAGE 25)
- ( )3 RECORD INFORMATION PER PLAT OF "BARLEY HILL SUBDIVISION PHASE II" (PLAT BOOK 9, PAGE 41)
- ( )4 RECORD INFORMATION PER PLAT OF "CAMAS COMMONS" (PLAT BOOK 10, PAGE 30)
- ( )5 RECORD INFORMATION PER PP NO. 96-22
- ( )6 RECORD INFORMATION PER CS 3254
- ( )7 RECORD INFORMATION PER CS 4116
- ( )8 RECORD INFORMATION PER CS 7676
- ( )9 RECORD INFORMATION PER CS 7733
- ( )10 RECORD INFORMATION PER CS 8563
- ( )11 RECORD INFORMATION PER CS 9195
- ( )12 RECORD INFORMATION PER CS 9257
- ( )13 RECORD INFORMATION PER CS 9419
- ( )14 RECORD INFORMATION PER CS 9445
- ( )15 RECORD INFORMATION PER CS 10265
- ( )16 RECORD INFORMATION PER DOCUMENT NUMBER 2007-420690
- ( )17 RECORD INFORMATION PER CS 7733
- ( )18 RECORD INFORMATION PER DOC. NO. M-18111-94

### PREPARED FOR

LEGEND HOMES  
615 NW JACKSON AVENUE  
CORVALLIS, OR 97330

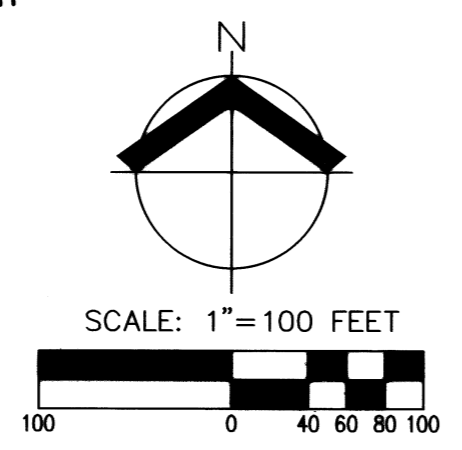
06/02/2017  
**REGISTERED  
PROFESSIONAL  
LAND SURVEYOR**  
*Michael S. Kalina*  
OREGON  
JANUARY 12, 2016  
MICHAEL S. KALINA  
85550PLS  
RENEWS: 6/30/19

JOB NAME:	RUSSELL GARDENS
JOB NUMBER:	5367
DRAWN BY:	HS/MK
CHECKED BY:	MK/GH
DRAWING NO.:	5367ROS

AKS ENGINEERING AND FORESTRY, LLC  
12965 SW HERMAN RD  
SUITE 100  
TUALATIN, OR 97062  
PHONE: 503.563.6151  
FAX: 503.563.6152



**ENGINEERING · PLANNING · SURVEYING  
FORESTRY · LANDSCAPE ARCHITECTURE**



NE CORNER OF SILAS NEWCOMB  
DLC NO. 50  
FOUND 3-1/4" BRASS CAP STAMPED  
"BENTON COUNTY SURVEYOR N.E. COR.  
DLC 50 S. NEWCOMB T.12 S., R.5 W.,  
W.M. 1990", IN MONUMENT BOX; PER  
CORNER RESTORATION NOTES 3788

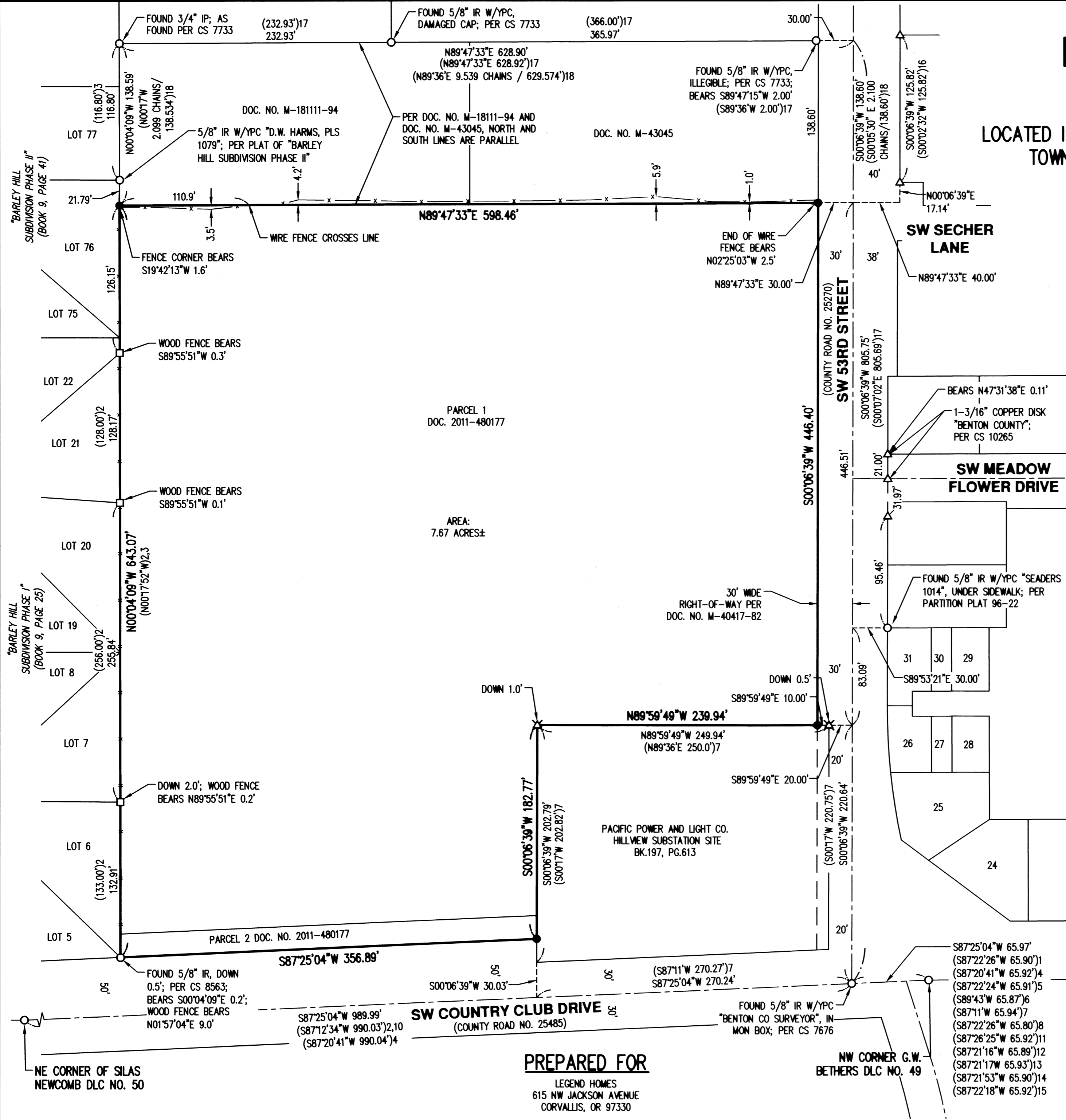
NW CORNER G.W. BETHERS  
DLC NO. 49  
FOUND 3" BRASS CAP INSCRIBED  
"BENTON COUNTY SURVEYOR'S OFFICE,  
NW CORNER G.W. BETHERS DLC NO. 49,  
T12S R5W", IN MONUMENT BOX; PER  
CORNER RESTORATION CARD NO. 3268

# RECORD OF SURVEY

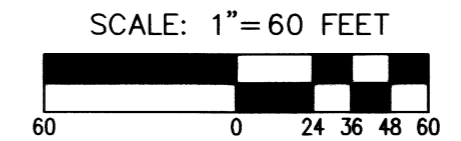
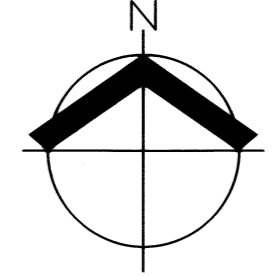
LOCATED IN THE NORTHEAST 1/4 OF SECTION 8,  
TOWNSHIP 12 SOUTH, RANGE 5 WEST,  
WILLAMETTE MERIDIAN,  
CITY OF CORVALLIS,  
BENTON COUNTY, OREGON  
JUNE 1, 2017  
SHEET 2 OF 2

**Benton County  
Surveyor's Office**

C.S. FILE NO. 10830  
FILING DATE 6-5-17  
FILE SIZE 18x24



- LEGEND**
- SET 5/8" X 30" IRON ROD W/YPC INSCRIBED "AKS ENGR." ON: 06/01/2017
  - FOUND 5/8" IRON ROD W/RPC INSCRIBED "DARRYL HARMS PLS 1079"; PER PLAT OF "BARLEY HILL SUBDIVISION PHASE I"; HELD UNLESS NOTED OTHERWISE
  - △ FOUND 5/8" IRON ROD W/YPC INSCRIBED "BENTON COUNTY SURVEYOR"; PER CS 10265; HELD UNLESS NOTED OTHERWISE
  - ⊗ FOUND 5/8" IRON ROD W/ALUMINUM CAP W/PUNCH MARK IN CENTER; PER CS 4116; HELD UNLESS NOTED OTHERWISE
  - DENOTES FOUND MONUMENT AS NOTED; HELD UNLESS NOTED OTHERWISE
- DOC. NO. DOCUMENT NUMBER PER BENTON COUNTY DEED RECORDS  
 IP IRON PIPE (INSIDE DIAMETER)  
 IR IRON ROD  
 W/RPC WITH A RED PLASTIC CAP  
 W/YPC WITH A YELLOW PLASTIC CAP  
 PP NO. PARTITION PLAT NUMBER PER BENTON COUNTY SURVEY RECORDS  
 CS COUNTY SURVEY NUMBER PER BENTON COUNTY SURVEY RECORDS



- REFERENCES**
- (1) CORNER RESTORATION NOTES 3268
  - (2) RECORD INFORMATION PER PLAT OF "BARLEY HILL SUBDIVISION PHASE I" (PLAT BOOK 9, PAGE 25)
  - (3) RECORD INFORMATION PER PLAT OF "BARLEY HILL SUBDIVISION PHASE II" (PLAT BOOK 9, PAGE 41)
  - (4) RECORD INFORMATION PER PLAT OF "CAMAS COMMONS" (PLAT BOOK 10, PAGE 30)
  - (5) RECORD INFORMATION PER PP NO. 96-22
  - (6) RECORD INFORMATION PER CS 3254
  - (7) RECORD INFORMATION PER CS 4116
  - (8) RECORD INFORMATION PER CS 7676
  - (9) RECORD INFORMATION PER CS 7733
  - (10) RECORD INFORMATION PER CS 8563
  - (11) RECORD INFORMATION PER CS 9195
  - (12) RECORD INFORMATION PER CS 9257
  - (13) RECORD INFORMATION PER CS 9419
  - (14) RECORD INFORMATION PER CS 9445
  - (15) RECORD INFORMATION PER CS 10265
  - (16) RECORD INFORMATION PER DOCUMENT NUMBER 2007-420690
  - (17) RECORD INFORMATION PER CS 7733
  - (18) RECORD INFORMATION PER DOC. NO. M-18111-94

06/02/2017  
**REGISTERED PROFESSIONAL LAND SURVEYOR**  
*Michael Kalina*  
 OREGON  
 JANUARY 12, 2016  
 MICHAEL S. KALINA  
 89558PLS  
 RENEWS: 6/30/19

JOB NAME:	RUSSELL GARDENS
JOB NUMBER:	5367
DRAWN BY:	HS/MK
CHECKED BY:	MK/GH
DRAWING NO.:	5367ROS

AKS ENGINEERING AND FORESTRY, LLC  
 12965 SW HERMAN RD  
 SUITE 100  
 TUALATIN, OR 97062  
 PHONE: 503.563.6151  
 FAX: 503.563.6152

**AKS**

ENGINEERING · PLANNING · SURVEYING  
 FORESTRY · LANDSCAPE ARCHITECTURE

**PREPARED FOR**  
 LEGEND HOMES  
 615 NW JACKSON AVENUE  
 CORVALLIS, OR 97330

NW CORNER G.W.  
 BETHERS DLC NO. 49