

RECORD OF SURVEY
 FOR IGH PROPERTIES INC.
 IN THE NW, NE, SW, AND SE 1/4 SEC. 36, T. 13 S.,
 R. 5 W., W.M.
 BENTON COUNTY, OREGON
 JULY 14, 2022

NARRATIVE:

THE PURPOSE OF THIS SURVEY WAS TO RETRACE AND MONUMENT THE FULL BOUNDARY OF PARCEL 2, NORTH LINE OF PARCEL 1 BOTH FROM BENTON COUNTY PARTITION PLAT NO. 98-53 AND THE WEST LINE OF THE PROPERTY DESCRIBED IN BENTON COUNTY DEED DOCUMENT NO. 2016-546728.

THE SOUTH LINE OF SECTION 36 WAS RETRACED BY HOLDING REMONUMENTED SECTION CORNERS, AS NOTED. THE WEST LINE OF THE LAND DESCRIBED IN 2016-546728 WAS RETRACED BY HOLDING THE MIDPOINT BETWEEN THE SOUTH 1/4 AND SOUTHWEST OF SECTION 36, AND THE 3/4 PIPE WHICH I ACCEPTED AS THE NORTHWEST CORNER OF THE SE 1/4 OF THE SE 1/4 AND SUSPECT THIS WAS SET BY (OLD C.S. 245) G13500017

THE EAST LINE OF PARCEL 2 WAS RETRACED BY HOLDING THE MONUMENTS SET BY C.S. 8061 ON THAT LINE AND THE NORTHEAST CORNER WAS SET RECORD DISTANCE NORTH OF THE PARCEL 2 SOUTHEAST CORNER.

THE NORTH LINE OF PARCEL 2 WAS RETRACED BY HOLDING THE ANGULAR RELATIONSHIP BETWEEN THE EAST LINE, PER SAID PLAT.

THE WEST LINE OF PARCEL 2 WAS RETRACED BY HOLDING MONUMENTS **A** AND **B**. THE SOUTHWEST CORNER OF SAID PARCEL WAS ESTABLISHED AS RECORD CALCULATED DISTANCE NORTH OF **A**, PER SAID PLAT.

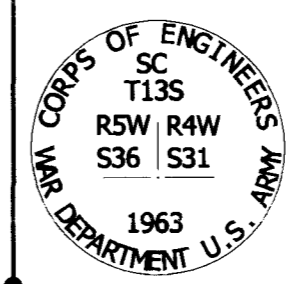
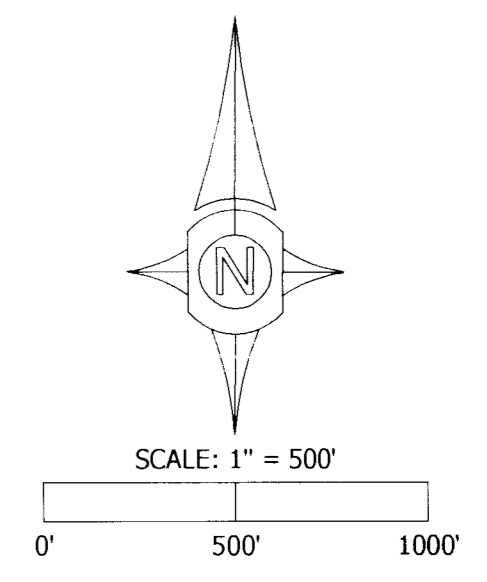
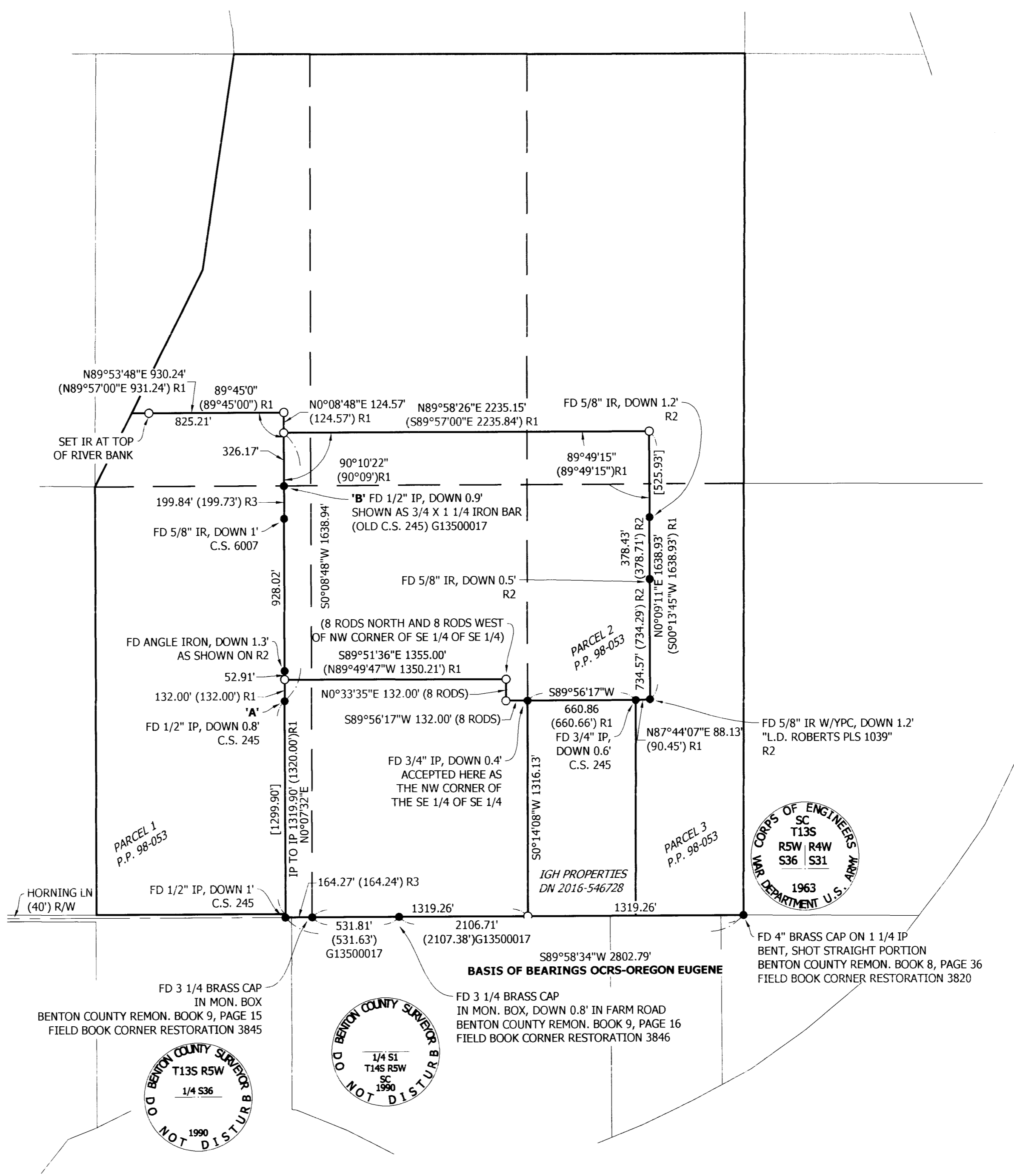
THE NORTH LINE OF PARCEL 1 WAS RETRACED BY HOLDING THE ANGULAR RELATIONSHIP BETWEEN THE EAST LINE (WEST LINE OF PARCEL 2) PER THE PLAT.

THE BASIS OF BEARING IS BASED ON THE OREGON COORDINATE REFERENCE SYSTEM OREGON-EUGENE ZONE (OGRS-EUGENE) NAD83(2011) EPOCH 2010.00, ESTABLISHED USING RTK CORRECTIONS FROM THE OREGON REAL-TIME GNSS NETWORK.

REFERENCE SURVEYS: C.S. ROAD #359 & (OLD C.S. 245) G13500017, (OLD C.S. 245) G13400005, C.S. 6007, C.S. 8061, PARTITION PLAT NO. 98-53

LEGEND:

- FOUND MONUMENT FLUSH OR AS NOTED
- SET 5/8"x30" IRON ROD WITH ORANGE PLASTIC CAP STAMPED: UDELL ENG
- () DATA OF RECORD
- [] CALCULATED DATA
- C.S. COUNTY SURVEY
- FD FOUND
- IP IRON PIPE
- IR IRON ROD
- P.P. PARTITION PLAT
- R1 P.P. 98-53
- R2 C.S. 8061
- R3 C.S. 6007
- W/ YPC WITH YELLOW PLASTIC CAP



REGISTERED
**PROFESSIONAL
 LAND SURVEYOR**
Kyle W. Latimer
 OREGON
 JUNE 12, 2013
 KYLE W. LATIMER
 #80442
 EXPIRES 12-31-2022
 SHEET 1 OF 1

Udell
**ENGINEERING &
 LAND SURVEYING, LLC**
 63 EAST ASH ST.
 LEBANON, OREGON
 97355
 PH. (541) 451-5125
 FAX (541) 451-1366