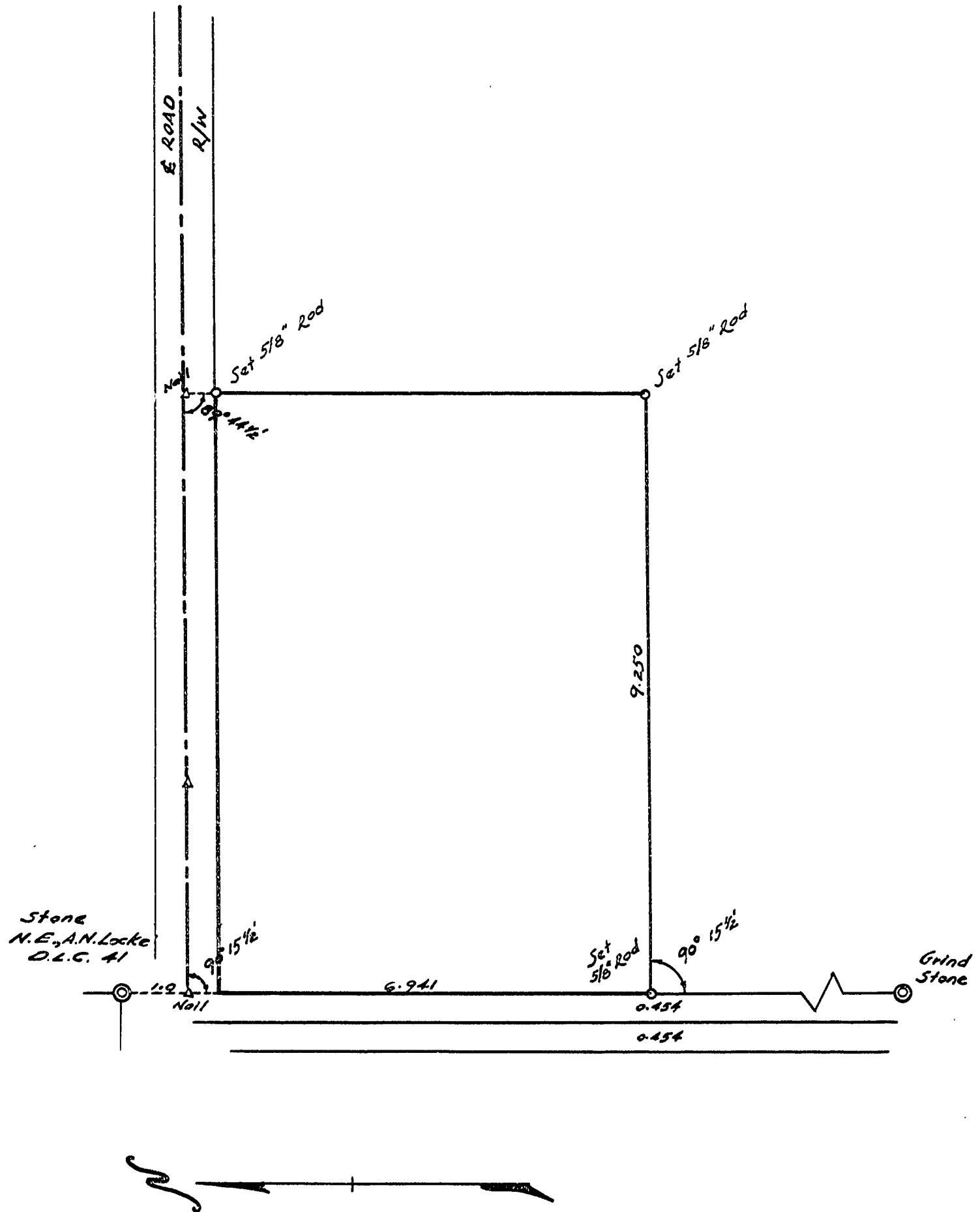
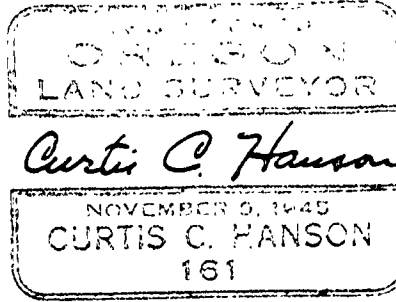


DAYLE STEARNS

ABNER DRUM D.L.C. No.39, TWP.11S., R.5W., W.M.

May 15, 1952.

SCALE: 1 in. = 2 ch.



C139-11.5

C.S. No J2-37

515-5
Bey circuit
Ames

2382

For Doyle Stearns

