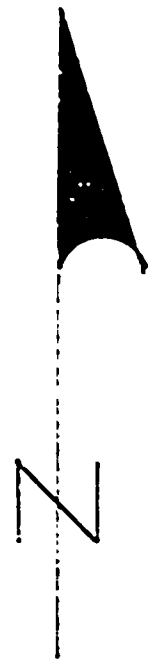


MINOR LAND PARTITION FOR JAROLD M. GASKILL
 SE 1/4 SECTION 25 T.12 S. R.6W.,W.M. JAME H.MORRIS D.L.C.NO.41
 JANUARY 23, 1983

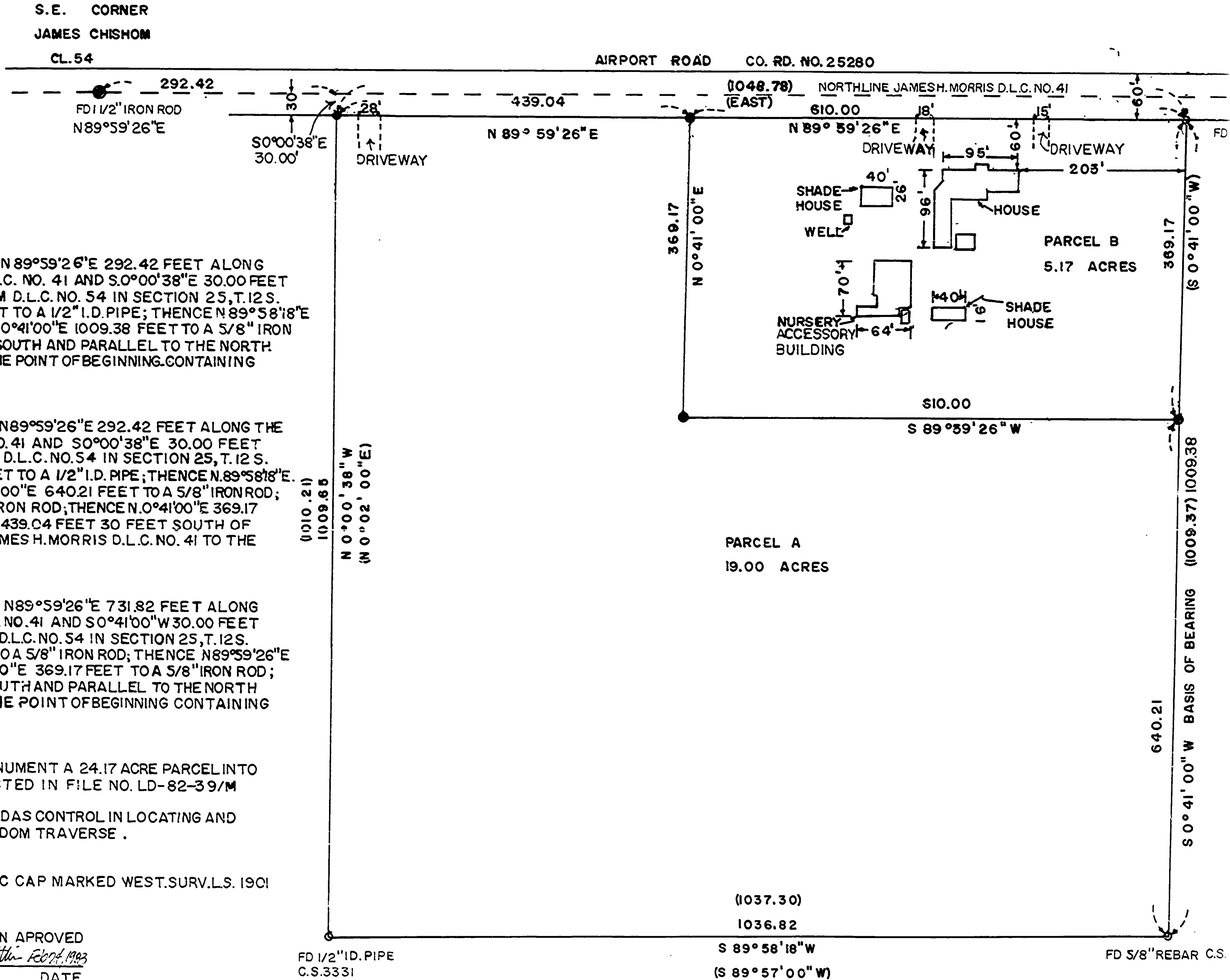
WESTERN SURVEYING RT. 1, BOX 15, BLODGETT, OREGON PHONE 453-5401

Benton County
 Surveyor's Office

CASE NO. 7492
 FILING DATE 1-25-83
 SIZE 10" x 24"
 P.M.S.D.



REGISTERED
 PROFESSIONAL
 LAND SURVEYOR
John D. Howell
 JOHN D. HOWELL
 1981



PARENT PARCEL

BEGINNING AT A 5/8" IRON SAID POINT BEING N89°59'26"E 292.42 FEET ALONG THE NORTH LINE OF THE JAMES H. MORRIS D.L.C. NO. 41 AND S0°00'38"E 30.00 FEET FROM THE S.E. CORNER OF THE JAMES CHISHOM D.L.C. NO. 54 IN SECTION 25, T.12 S. R.6 W., W.M.; THENCE S0°00'38"E 1009.65 FEET TO A 1/2" I.D. PIPE; THENCE N89°58'18"E 1036.82 FEET TO A 5/8" IRON ROD; THENCE N0°41'00"E 1009.38 FEET TO A 5/8" IRON ROD; THENCE S89°59'26"W 1049.04 FEET 30 SOUTH AND PARALLEL TO THE NORTH LINE OF THE JAMES H. MORRIS D.L.C. NO. 41 TO THE POINT OF BEGINNING CONTAINING 24.17 ACRES.

PARCEL A

BEGINNING AT A 5/8" IRON ROD SAID POINT BEING N89°59'26"E 292.42 FEET ALONG THE NORTH LINE OF THE JAMES H. MORRIS D.L.C. NO. 41 AND S0°00'38"E 30.00 FEET FROM THE S.E. CORNER OF THE JAMES CHISHOM D.L.C. NO. 54 IN SECTION 25, T.12 S. R.6 W., W.M.; THENCE S0°00'38"E 1009.65 FEET TO A 1/2" I.D. PIPE; THENCE N89°58'18"E 1036.82 FEET TO A 5/8" IRON ROD; THENCE N0°41'00"E 640.21 FEET TO A 5/8" IRON ROD; THENCE S89°59'26"W 610.00 FEET TO A 5/8" IRON ROD; THENCE N0°41'00"E 369.17 FEET TO A 5/8" IRON ROD; THENCE S89°59'26"W 439.04 FEET 30 FEET SOUTH OF AND PARALLEL TO THE NORTH LINE OF THE JAMES H. MORRIS D.L.C. NO. 41 TO THE POINT OF BEGINNING CONTAINING 19 ACRES

PARCEL B

BEGINNING AT A 5/8" IRON ROD SAID POINT BEING N89°59'26"E 731.82 FEET ALONG THE NORTH LINE OF THE JAMES H. MORRIS D.L.C. NO. 41 AND S0°41'00"W 30.00 FEET FROM THE S.E. CORNER OF THE JAMES CHISHOM D.L.C. NO. 54 IN SECTION 25, T.12 S. R.6 W., W.M.; THENCE S0°41'00"W 369.17 FEET TO A 5/8" IRON ROD; THENCE N89°59'26"E 610.00 FEET TO A 5/8" IRON ROD; THENCE N0°41'00"E 369.17 FEET TO A 5/8" IRON ROD; THENCE S89°59'26"W 610.00 FEET 30 FEET SOUTH AND PARALLEL TO THE NORTH LINE OF THE JAMES H. MORRIS D.L.C. NO. 41 TO THE POINT OF BEGINNING CONTAINING 5.17 ACRES

NARRATIVE

THIS SURVEY WAS PERFORMED TO DIVIDE AND MONUMENT A 24.17 ACRE PARCEL INTO A 19 ACRE AND A 5.17 ACRE PARCEL AS INSTRUCTED IN FILE NO. LD-82-39/M BENTON COUNTY PLANNING DEPARTMENT. THE MONUMENTS SHOWN AS FOUND WERE USED AS CONTROL IN LOCATING AND DIVIDING THE PARCEL AND TIED TO USING A RANDOM TRAVERSE.

○ FOUND MONUMENTS

- SET 5/8" X 30" REBAR WITH YELLOW PLASTIC CAP MARKED WEST SURV. L.S. 1901
- () INFORMATION OF RECORD FROM C.S. 6039

MINOR LAND PARTITION APPROVED
Aldace Howard by *D. Little* Feb 07, 1983
 PLANNING OFFICIAL DATE

FD 1/2" I.D. PIPE
 C.S. 3331

(1037.30)
 1036.82
 S 89° 58' 18" W
 (S 89° 57' 00" W)

FD 5/8" REBAR C.S.