

2000-41

SHEET 1 OF 2

LD-00-36

PARTITION PLAT No. 2000-41

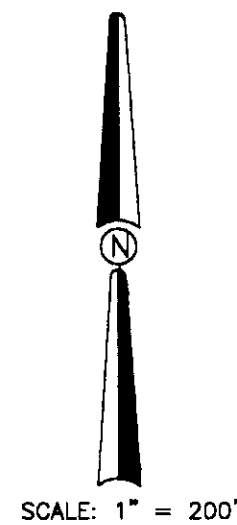
FOR

GEORGE & EVELYN MEARS

NOVEMBER 28, 2000

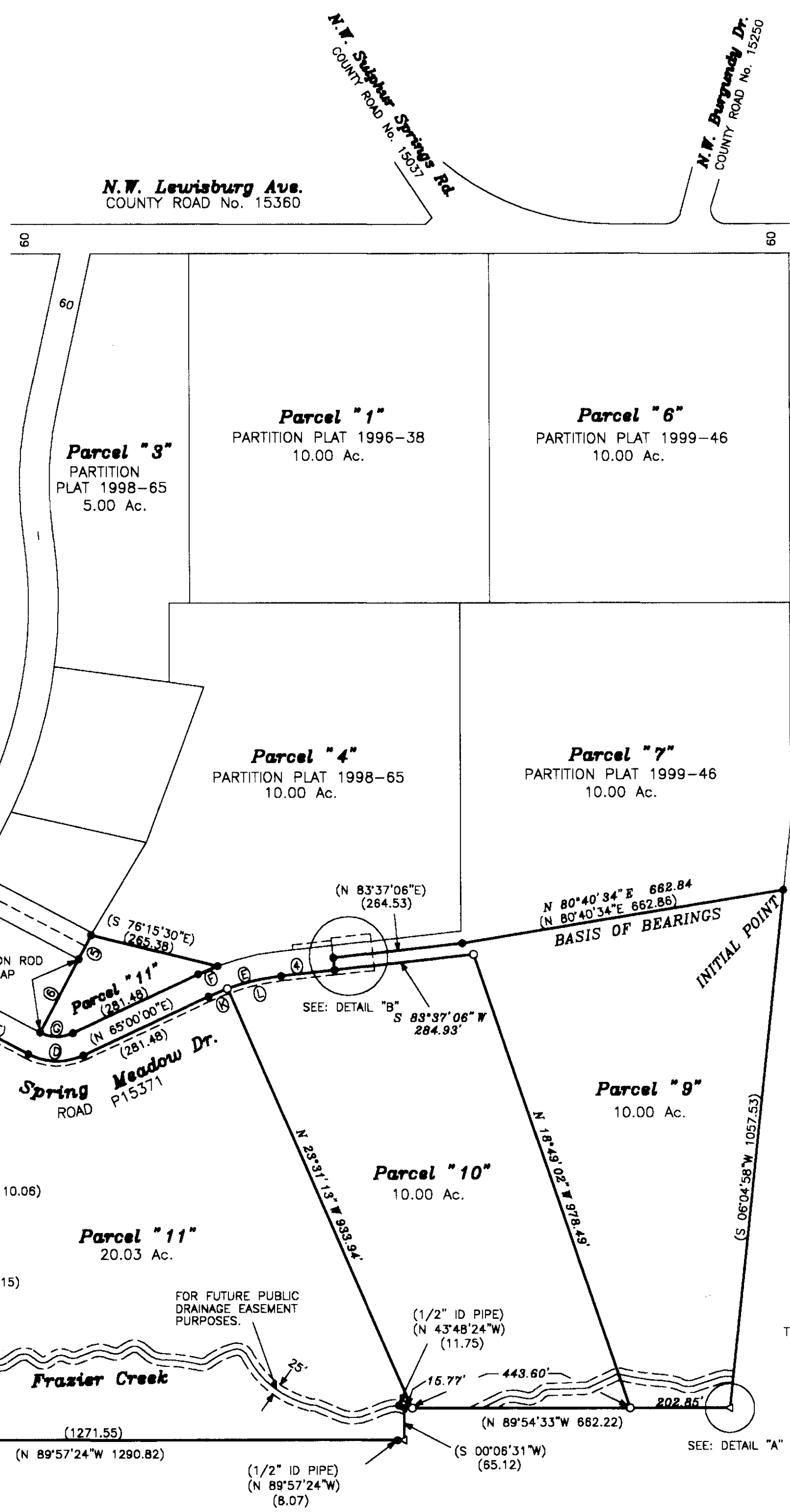
REPLAT OF PARCEL "8", PARTITION PLAT 1999-46

IN THE S.E. 1/4 OF SECTION 10 & S.W. 1/4 OF SECTION 11,
TOWNSHIP 11 SOUTH, RANGE 5 WEST, WILLAMETTE MERIDIAN,
BENTON COUNTY, OREGON.



LEGEND

- FOUND 5/8" IRON ROD WITH RED PLASTIC CAP STAMPED "DARRYL HARMS, PLS 1079" AS PER PLAT 1998-65, EXCEPT AS NOTED.
- ◄ FOUND 5/8" IRON ROD WITH YELLOW PLASTIC CAP STAMPED "D.W. HARMS, PLS 1079" PER PLAT 1996-38.
- SET 5/8" X 30" IRON ROD WITH ORANGE PLASTIC CAP STAMPED "DARRYL HARMS, PLS 1079".
- () RECORD DATA FROM PARTITION PLAT 1999-46.



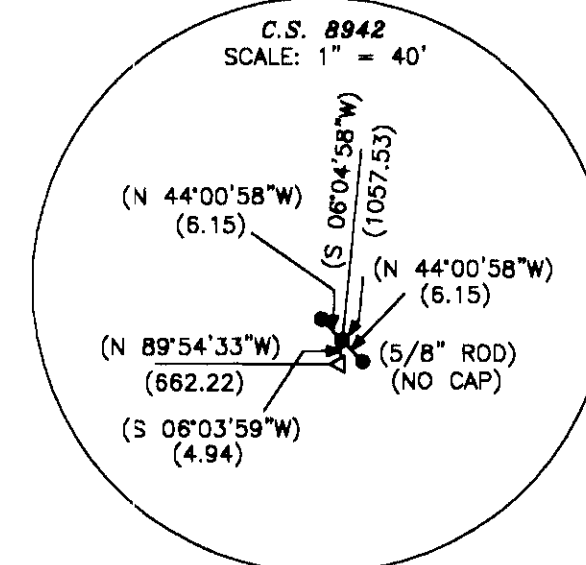
TANGENT TABLE

BEARING	DISTANCE
① (N 33°10'20"E)	27.14')
② (N 06°24'00"E)	193.25')
③ (N 27°57'29"E)	85.20')
④ (N 83°38'25"E)	109.37')
⑤ (S 27°42'48"W)	55.04')
⑥ (S 28°02'52"W)	168.11')
⑦ (S 06°24'00"W)	193.25')
⑧ (S 33°10'20"W)	27.14')
⑨ (S 06°22'54"E)	25.00')
⑩ (S 06°22'54"E)	25.00')

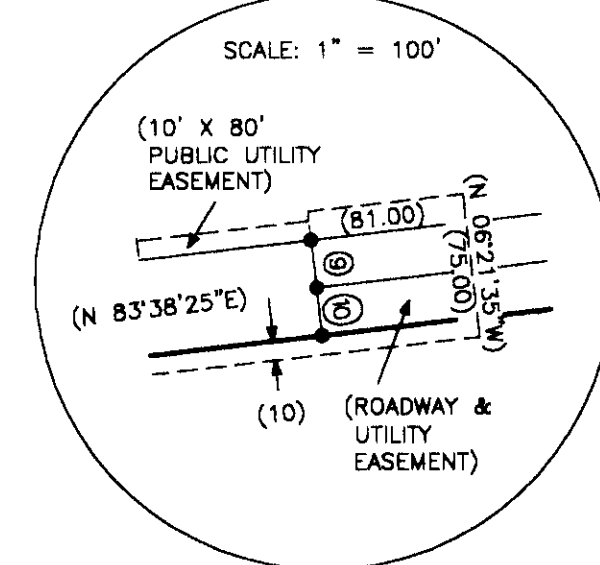
CURVE TABLE

DELTA	RADIUS	ARC	CHORD	CH. BEARING
Ⓐ (06°29'36")	686.20'	77.77'	77.72'	N 29°55'32"E)
Ⓑ (26°46'20")	746.20'	348.67'	345.51'	N 19°47'10"E)
Ⓒ (21°33'29")	686.20'	258.19'	256.67'	N 17°10'44"E)
Ⓓ (52°58'57")	125.00'	115.59'	111.52'	S 88°30'32"E)
Ⓔ (18°38'25")	475.00'	154.53'	153.85'	N 74°19'12"E)
Ⓕ (04°46'54")	525.00'	43.81'	43.80'	S 67°23'27"W)
Ⓖ (52°58'57")	75.00'	69.35'	66.91'	N 88°30'32"W)
Ⓗ (21°33'29")	676.20'	254.43'	252.93'	S 17°10'44"W)
Ⓘ (26°46'20")	756.20'	353.34'	350.14'	S 19°47'10"W)
Ⓚ (06°04'12")	678.20'	71.64'	71.60'	S 30°08'15"W)
Ⓛ (5°07'44")	475.00'	42.52'	42.50'	N 87°39'52"E)
Ⓜ (13°30'40")	475.00'	112.01'	111.75'	N 76°53'04"E)

DETAIL "A"



DETAIL "B"



NARRATIVE

THIS PARTITION PLAT WAS PREPARED PURSUANT TO BENTON COUNTY COMMUNITY DEVELOPMENT CASE FILE No. LD-00-36. IS A CONTINUATION OF A SERIES PARTITION THAT WAS APPROVED IN 1996 (PC-96-55) AND IS A REPLAT OF PARCEL "B" OF PARTITION PLAT 1996-46. THE EAST LINE OF PARCEL "9" IS THE RESULT OF A BOUNDARY LINE AGREEMENT RECORDED AS M-199437-95 AND SHOWN ON C.S. 8942, FOUND MONUMENTS WERE HELD IN POSITION FOR CONTROL AND RECORD DATA IS THE SAME AS MEASURED, EXCEPT AS SHOWN.

REGISTERED
PROFESSIONAL
LAND SURVEYOR

Darryl W. Harms

OREGON
JULY 30, 1978
DARRYL W. HARMS
1079

RENEWAL DATE: 6/30/01

DARRYL W. HARMS, P.L.S.
720 N.E. GRANGER #1
P.O. BOX 1051
CORVALLIS, OR 97339
PHONE: (541) 745-3948
FAX: (541) 745-3952

THIS IS AN EXACT COPY OF THE ORIGINAL PARTITION PLAT.

2000-41

LD-00-36

PARTITION PLAT 2000-41
FOR

GEORGE & EVELYN MEARS

NOVEMBER 28, 2000

REPLAT OF PARCEL "8", PARTITION PLAT 1999-46

IN THE S.E. 1/4 OF SECTION 10 & S.W. 1/4 OF SECTION 11,
TOWNSHIP 11 SOUTH, RANGE 5 WEST, WILLAMETTE MERIDIAN,
BENTON COUNTY, OREGON.

Surveyor's Certificate

I, Darryl W. Harms, a registered land surveyor in the State of Oregon, hereby certify that in November, 2000, I correctly surveyed and marked with proper monuments; Parcels "9" and "10" as shown on Sheet 1, the parent tract being described as follows:
Parcel "8" of Partition Plat 1999-46, Partition Plat Records of Benton County, Oregon.

REGISTERED
PROFESSIONAL
LAND SURVEYOR

Darryl W. Harms

OREGON
JULY 30, 1978
DARRYL W. HARMS
1079
RENEWAL DATE: 6/30/01

DARRYL W. HARMS, P.L.S.
720 N.E. GRANGER #1
P.O. BOX 1051
CORVALLIS, OR 97339
PHONE: (541) 745-3948
FAX: (541) 745-3952

Declaration

Know all persons by these presents that George W. Mears and Evelyn L. Mears are the recorded owners of the lands represented on the attached partition map and more particularly described in the Surveyor's Certificate, and have caused same to be surveyed and platted into parcels as shown on the attached map. The strip of land twenty five feet in width and centered on the average centerline of Frazier Creek, as shown on Sheet 1, is hereby reserved for future public drainage easement purposes.

George W. Mears *Evelyn L. Mears*
George W. Mears Evelyn L. Mears

Approvals

I HEREBY CERTIFY THAT PURSUANT TO O.R.S. 92.095 ALL AD VALOREM TAXES, FEES AND OTHER CHARGES REQUIRED BY LAW TO BE PLACED ON THE 2000-2001 TAX ROLL WHICH BECAME A LIEN OR WILL BECOME A LIEN ON THIS PARTITION DURING THIS TAX YEAR BUT NOT YET CERTIFIED TO THE TAX COLLECTOR FOR COLLECTION, HAVE BEEN PAID TO ME THIS 19th DAY OF December, 2000

BY: *Angela Hillert*
DIRECTOR, BENTON COUNTY DEPT. OF ASSESSMENT

I HEREBY CERTIFY THAT ALL AD VALOREM TAXES AND OTHER CHARGES REQUIRED BY LAW TO BE PLACED UPON THE TAX ROLLS WHICH HAVE BECOME A LIEN ON THIS PARTITION THAT ARE NOW DUE AND PAYABLE HAVE BEEN PAID TO THE DATE OF June 30, 2001

BY: *Velde Holath*
for DIRECTOR, BENTON COUNTY DEPT. OF FINANCE
AUDITING AND TAX COLLECTION

EXAMINED AND APPROVED THIS 19th DAY OF December, 2000

BY: *Peter Idema*
BENTON COUNTY PLANNING OFFICIAL

EXAMINED AND APPROVED THIS 19th DAY OF December, 2000

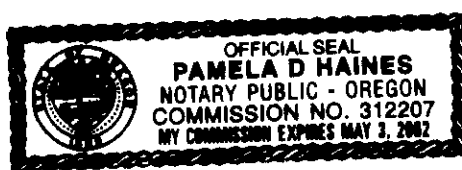
BY: *Ray Wilson*
BENTON COUNTY SURVEYOR

Acknowledgement

State of Oregon) S.S.
County of Benton)

This is to certify that on this 15th day of December, 2000, did personally appear George W. Mears and Evelyn L. Mears who are known to me to be the identical individuals described in and who executed the above instrument and acknowledged to me that they executed the same freely and voluntarily.

Pamela D Haines
Notary Public for the State of Oregon
May 3, 2002
My commission expires



THIS IS AN EXACT COPY OF THE ORIGINAL PARTITION PLAT.

Recording

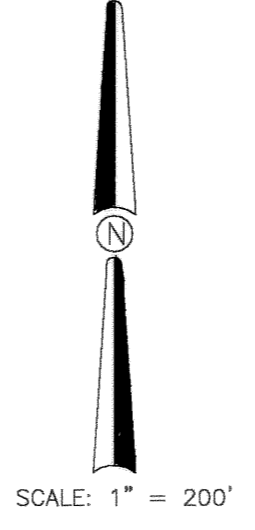
STATE OF OREGON)
COUNTY OF BENTON) S.S.

I HEREBY CERTIFY THAT THIS PARTITION PLAT WAS RECEIVED AND DULY RECORDED BY ME AS PARTITION PLAT 2000-41 IN BENTON COUNTY DEED RECORDS M-202439-00 ON THIS 19th DAY OF December 2000 AT 2:07 O'CLOCK P.M.

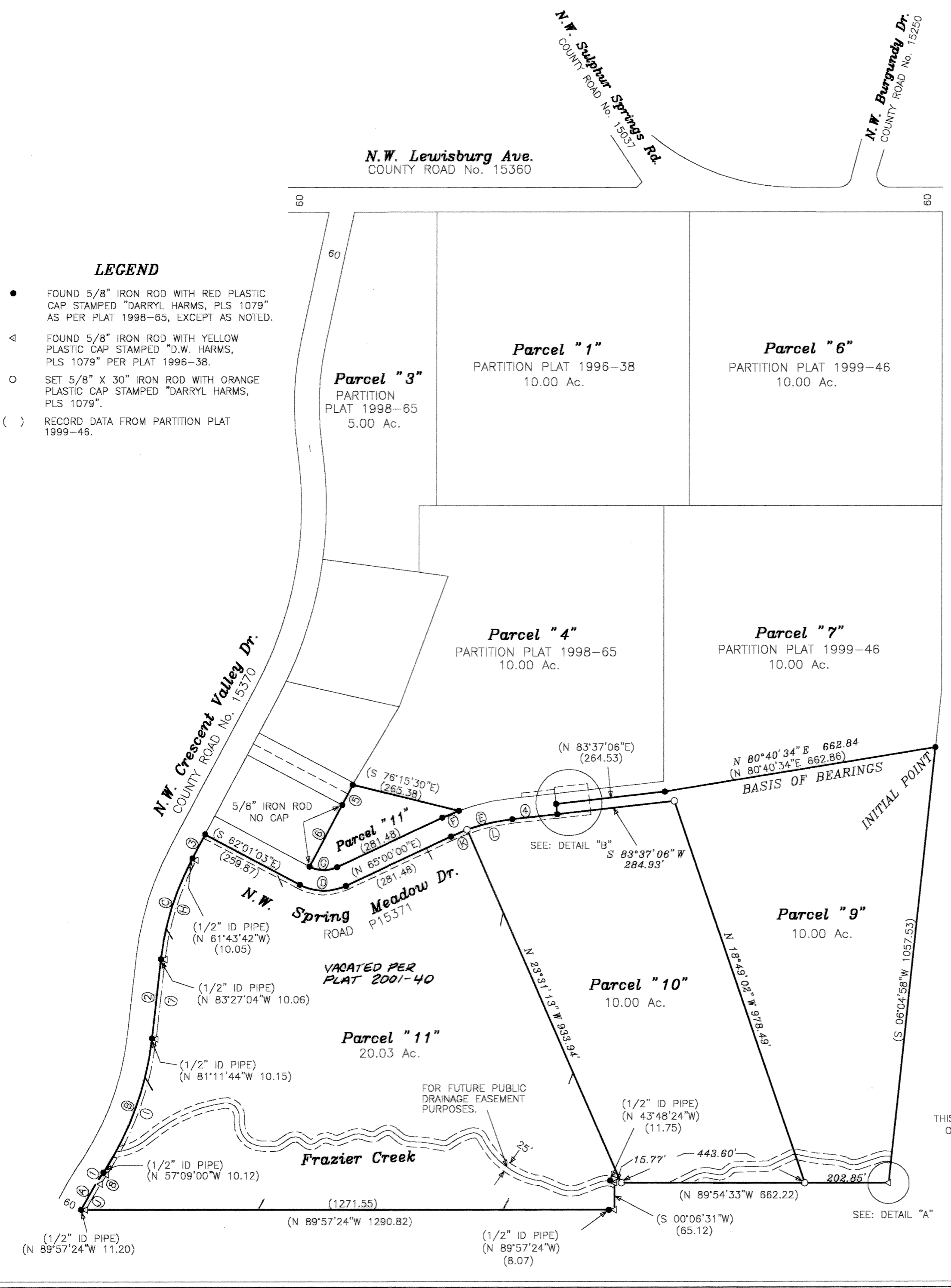
BY: *William Harms*
for BENTON COUNTY CLERK *Senior Deputy Clerk*

2000-41

LD-00-36
PARTITION PLAT No. 2000-41
FOR
GEORGE & EVELYN MEARS
NOVEMBER 28, 2000
REPLAT OF PARCEL "8", PARTITION PLAT 1999-46
IN THE S.E. 1/4 OF SECTION 10 & S.W. 1/4 OF SECTION 11,
TOWNSHIP 11 SOUTH, RANGE 5 WEST, WILLAMETTE MERIDIAN,
BENTON COUNTY, OREGON.



- LEGEND**
- FOUND 5/8" IRON ROD WITH RED PLASTIC CAP STAMPED "DARRYL HARMS, PLS 1079" AS PER PLAT 1998-65, EXCEPT AS NOTED.
 - ◁ FOUND 5/8" IRON ROD WITH YELLOW PLASTIC CAP STAMPED "D.W. HARMS, PLS 1079" PER PLAT 1996-38.
 - SET 5/8" X 30" IRON ROD WITH ORANGE PLASTIC CAP STAMPED "DARRYL HARMS, PLS 1079".
 - () RECORD DATA FROM PARTITION PLAT 1999-46.

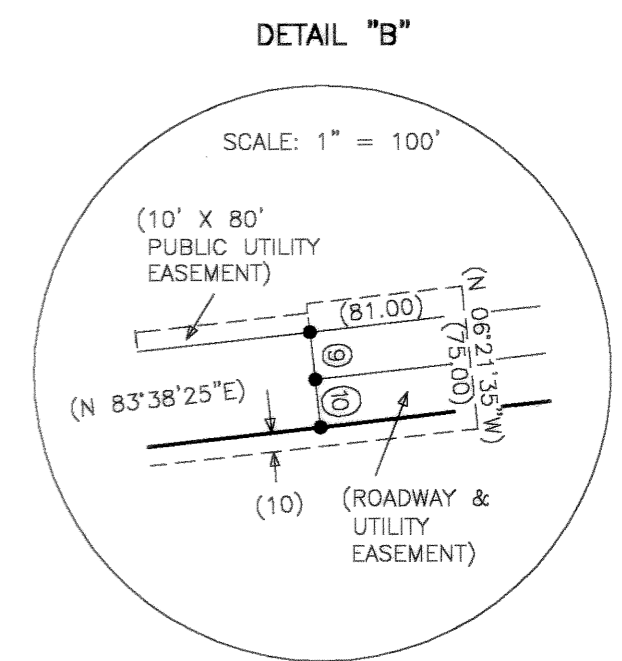
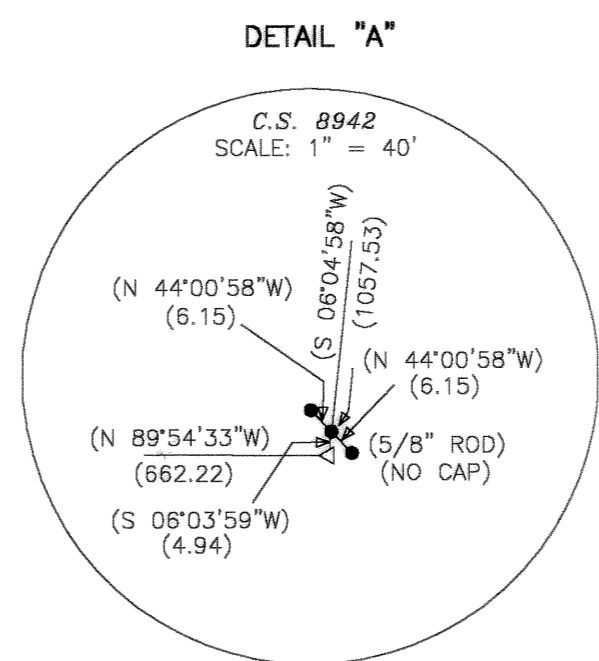


TANGENT TABLE

BEARING	DISTANCE
① (N 33°10'20"E)	27.14'
② (N 06°24'00"E)	193.25'
③ (N 27°57'29"E)	65.20'
④ (N 83°38'25"E)	109.37'
⑤ (S 27°42'48"W)	55.04'
⑥ (S 28°02'52"W)	168.11'
⑦ (S 06°24'00"W)	193.25'
⑧ (S 33°10'20"W)	27.14'
⑨ (S 06°22'54"E)	25.00'
⑩ (S 06°22'54"E)	25.00'

CURVE TABLE

DELTA	RADIUS	ARC	CHORD	CH.BEARING
A (06°29'36")	686.20'	77.77'	77.72'	N 29°55'32"E)
B (26°46'20")	746.20'	348.67'	345.51'	N 19°47'10"E)
C (21°33'29")	686.20'	258.19'	256.67'	N 17°10'44"E)
D (52°58'57")	125.00'	115.59'	111.52'	S 88°30'32"E)
E (18°38'25")	475.00'	154.53'	153.85'	N 74°19'12"E)
F (04°46'54")	525.00'	43.81'	43.80'	S 67°23'27"W)
G (52°58'57")	75.00'	69.35'	66.91'	N 88°30'32"W)
H (21°33'29")	676.20'	254.43'	252.93'	S 17°10'44"W)
I (26°46'20")	756.20'	353.34'	350.14'	S 19°47'10"W)
J (06°04'12")	676.20'	71.64'	71.60'	S 30°08'15"W)
K (5°07'44")	475.00'	42.52'	42.50'	N 67°33'52"E)
L (13°30'40")	475.00'	112.01'	111.75'	N 76°53'04"E)



NARRATIVE

THIS PARTITION PLAT WAS PREPARED PURSUANT TO BENTON COUNTY COMMUNITY DEVELOPMENT CASE FILE No. LD-00-36, IS A CONTINUATION OF A SERIES PARTITION THAT WAS APPROVED IN 1996 (PC-96-55) AND IS A REPLAT OF PARCEL "8" OF PARTITION PLAT 1996-46. THE EAST LINE OF PARCEL "9" IS THE RESULT OF A BOUNDARY LINE AGREEMENT RECORDED AS M-199437-95 AND SHOWN ON C.S. 8942, FOUND MONUMENTS WERE HELD IN POSITION FOR CONTROL AND RECORD DATA IS THE SAME AS MEASURED, EXCEPT AS SHOWN.

REGISTERED
PROFESSIONAL
LAND SURVEYOR
Darryl W. Harms
OREGON
JULY 30, 1978
DARRYL W. HARMS
1079
RENEWAL DATE: 6/30/01

DARRYL W. HARMS, P.L.S.
720 N.E. GRANGER #1
P.O. BOX 1051
CORVALLIS, OR 97339
PHONE: (541) 745-3948
FAX: (541) 745-3952

THIS IS AN EXACT COPY OF THE ORIGINAL PARTITION PLAT.